

ELECTRICAL SPECIFICATION:

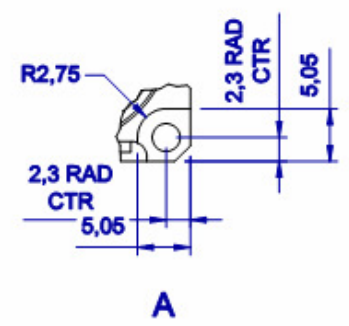
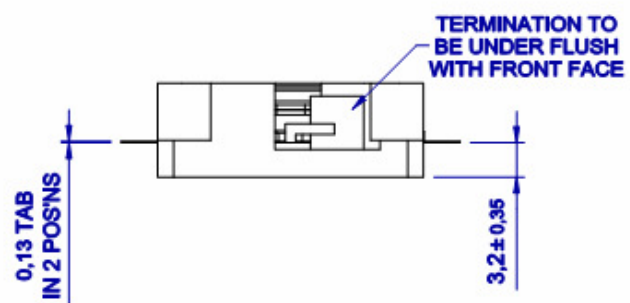
FREQUENCY RANGE: 880-915MHz
INSERTION LOSS 1-2: 0.2dB max
ISOLATION 2-1 (880-915MHz): 23dB min
ISOLATION 2-1 (925-960MHz): 15dB min
RETURN LOSS (INPUT/OUTPUT): 23dB min
FORWARD POWER (OPERATING): 2W max
REVERSE POWER (With Additional Heatsink): 2W max
PEAK POWER: 10W max
IMD 2 CARRIERS (925-960MHz) LEVEL +20dBm EACH: 80dBc min
R.F. LEAKAGE (No Pins Area) (Probe EMC0903): -70 dBc (1cm Distance)

ENVIRONMENTAL SPECIFICATIONS:

OPERATING TEMPERATURE RANGE (@ 95% R.H.): -40°C TO +70°C

NOTES :

1. THIS UNIT IS ROHS COMPLIANT BY DESIGN.



Q.A.
DATE
PROD.REL.
DATE
ENG.APP.
J.G.
DATE
MECH. ENG.
DATE
DRAWN
S.W.
DATE

LIGHTLY REMOVE ALL BURRS AND SHARP EDGES U.O.S.

ORIGINAL SCALE	2:1	MATERIAL	SPECIFICATION
DO NOT SCALE PRINT			
DIMENSION IN			
mm			
CERTIFIED AT ISSUE		BODY: SILVER PLATED	

REF	DESCRIPTION	No OFF	CHAR.	POS.TOL	ISSUE	DATE	MOD NUMBER
GREEN (FULLY RELEASED)							A 3
GENERAL TOLERANCE UNLESS OTHERWISE STATED		CONTRACTOR		SECURITY CLASSIFICATION			
ISO 2768-fH Symmetry ± 0,05		MESL MICROWAVE					
FINISH TO BE		RESPONSIBLE AUTHORITY		CONTRACTORS DRAWING NUMBER			
1.6		J. GILLIES		9955-000-OL			
UNLESS OTHERWISE STATED		TITLE		SERVICE DRAWING NUMBER		SHEET	
		880-915MHZ DROP-IN ISOL.				No 1	
						OFF 1	

4	9955-ECN-10930
3	9955-ECN-10917
2	9955-ECN-10908
1	GREEN
B	DRN 9955