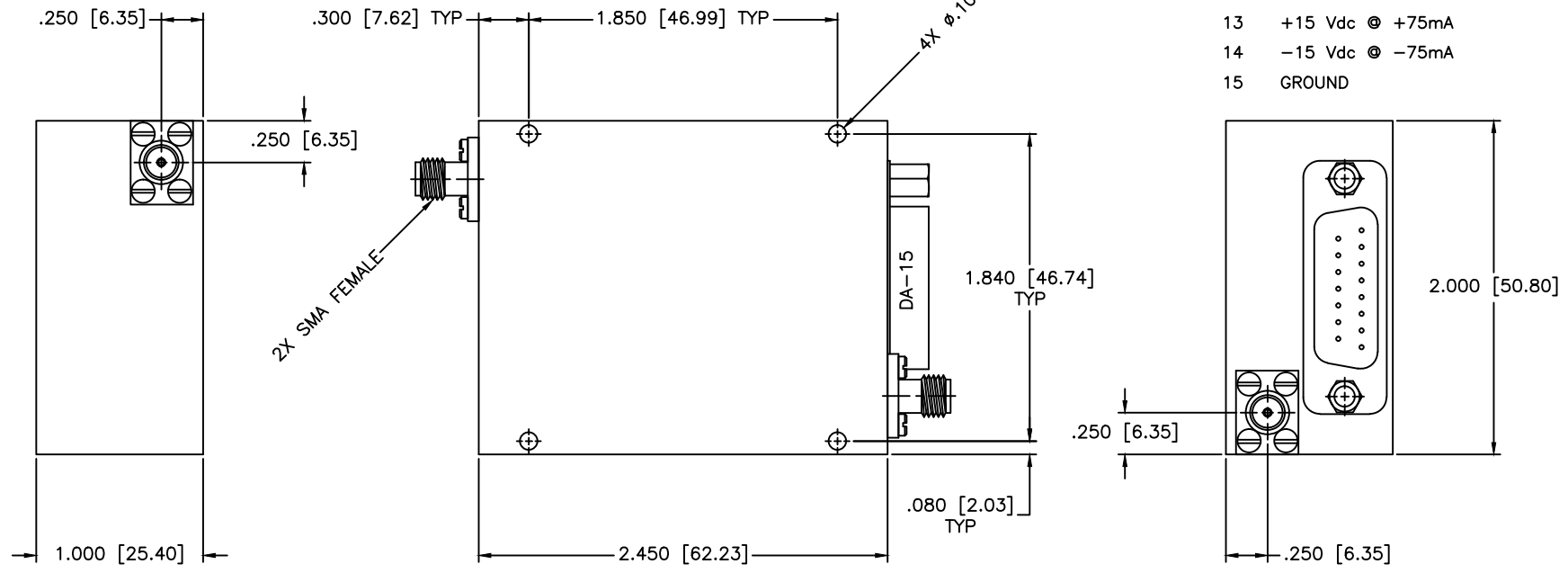


REVISIONS				
ZONE	REV	DESCRIPTION	DATE	APPROVED

POWER/LOGIC PIN-OUT

PIN	FUNCTIONS
1	GROUND
2	CONTROL INPUT
13	+15 Vdc @ +75mA
14	-15 Vdc @ -75mA
15	GROUND



SPECIFICATIONS

Frequency Range: 2–8 GHz
 Insertion Loss: 3.5dB Max.
 Attenuation Range: 10dB, 20dB, 40dB, 60dB
 VSWR: 1.90:1 Max.
 Attenuation Flatness To:
 10±0.5dB Max.
 20±1.0dB Max.
 40±2.0dB Max.
 60±2.5dB Max.

MATERIAL:		MCLI MICROWAVE COMMUNICATIONS LABORATORIES INC. 7255 30TH AVE. N. SAINT PETERSBURG, FL 33710 TEL: (727) 344-6254 FAX: (727) 381-6116 http://WWW.MCLI.COM	SCALE:	N/A
			SHEET:	N/A
UNLESS OTHERWISE SPECIFIED: TOLERANCES IN (INCHES) OR [mm] (MILLIMETERS) FRACTIONS: ± XX DECIMALS: ±.009 ANGLE: ±1/2°		DRAWING TITLE:	VOLTAGE CONTROLLED PIN DIODE ATTENUATOR	
DRAWN: Paiboon Luekhamhan		DATE: 04-02-2002	PART NO. VC-7	
APPROVED: T. Nguyen		DATE: 04-08-2002	CAGE CODE: OD2L5	SIZE: A
PROPRIETARY NOTICE: THE INFORMATION IN THIS DRAWING IS PROPRIETARY AND SHALL NOT BE USED OR DISCLOSED WITHOUT WRITTEN PERMISSION FROM MICROWAVE COMMUNICATIONS LABORATORIES INC. (MCLI) THIRD ANGLE PROJECTION		REV: N/A	DWG NO. 81927	DO NOT SCALE THE DRAWING