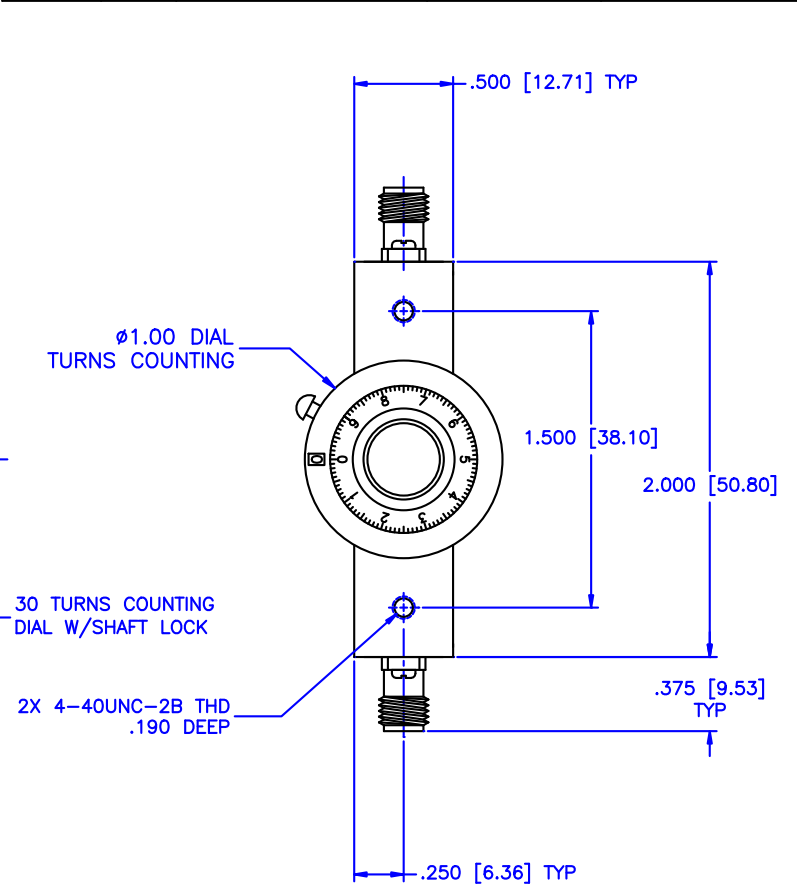


REVISIONS				
ZONE	REV	DESCRIPTION	DATE	APPROVED



SPECIFICATIONS

Frequency Range: 4-18 GHz
 Attenuation: 20dB
 Insertion Loss: 0.5 Max.
 VSWR: 1.50:1 Max.
 RF Power: 7 W Average, 3kW Peak

Environmental

Temperature range: -55°C to +110°C
 Shock: 15 G's, 11mS, 1/2 sine
 Vibration: 3 G's overall
 Altitude: 40,000 ft. Survival
 25,000ft Operating

MATERIAL:	MICROWAVE COMMUNICATIONS LABORATORIES INC. 7255 30TH AVE. N. SAINT PETERSBURG, FL 33710 TEL: (727) 344-6254 FAX: (727) 381-6116 http://WWW.MCLI.COM	SCALE:	N/A
		SHEET:	N/A
UNLESS OTHERWISE SPECIFIED: TOLERANCES IN (INCHES) OR [mm] (MILLIMETERS) FRACTIONS: ± 1/64 DECIMALS: ±.01 ±.005 ANGLE: ±1/2°	DRAWING TITLE:	ATTENUATOR WITH DIAL	
	PART NO.:	CVA21-20/D	
DRAWN: Paiboon Luekhamhan DATE: 01-31-2011	PROPRIETARY NOTICE: THE INFORMATION IN THIS DRAWING IS PROPRIETARY AND SHALL NOT BE USED OR DISCLOSED WITHOUT WRITTEN PERMISSION FROM MICROWAVE COMMUNICATIONS LABORATORIES INC. (MCLI)	CAGE CODE:	OD2L5
APPROVED: T. Nguyen DATE: 01-31-2011	THIRD ANGLE PROJECTION 	SIZE: A REV: N/A DO NOT SCALE THE DRAWING	DWG NO. 85283