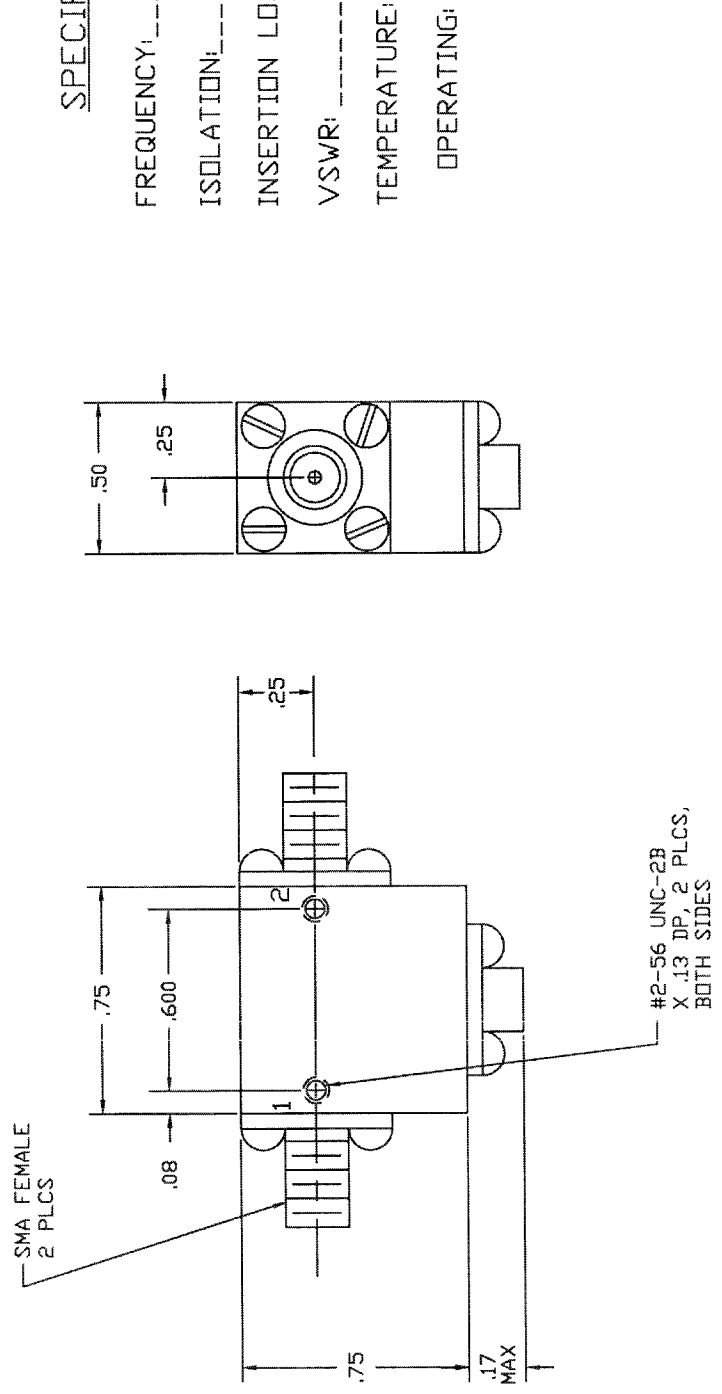


REVISIONS		
REV.	DESCRIPTION	DATE
NC	INITIAL RELEASE	
		APPROVED



SPECIFICATIONS:

FREQUENCY: _____ 5.3 TO 6.5 GHz
 ISOLATION: _____ 20 dB MIN
 INSERTION LOSS: _____ 0.4 dB MAX
 VSWR: _____ 1.25:1 MAX
 TEMPERATURE:
 OPERATING: _____ -20° TO +65°C

QTY	FSCM REQB NO.	PART OR IDENTIFYING NO.	NOMENCLATURE OR DESCRIPTION	MATERIAL SPECIFICATION
PARTS LIST				
			SIERRA MICROWAVE TECHNOLOGY	
			OUTLINE FOR SM15365	
			SIZE	FSCM NO.
			B	1CY63
			DWG. NO.	205-0482-001
			REV.	NC

APPROVALS		DATE
DRAWN	B. ALEXANDER	8-22-88
CHECKED	L. DARLIES	8-23-88
ISSUED	L. WALTON	8-23-88

FRACTIONS	DECIMALS	ANGLES
±	.XX± .02 ±	±
	.XXX± .010	
MATERIAL		
FINISH		
204-0126-001	SM15365	
NEXT ASSY	USED ON	
APPLICATION		