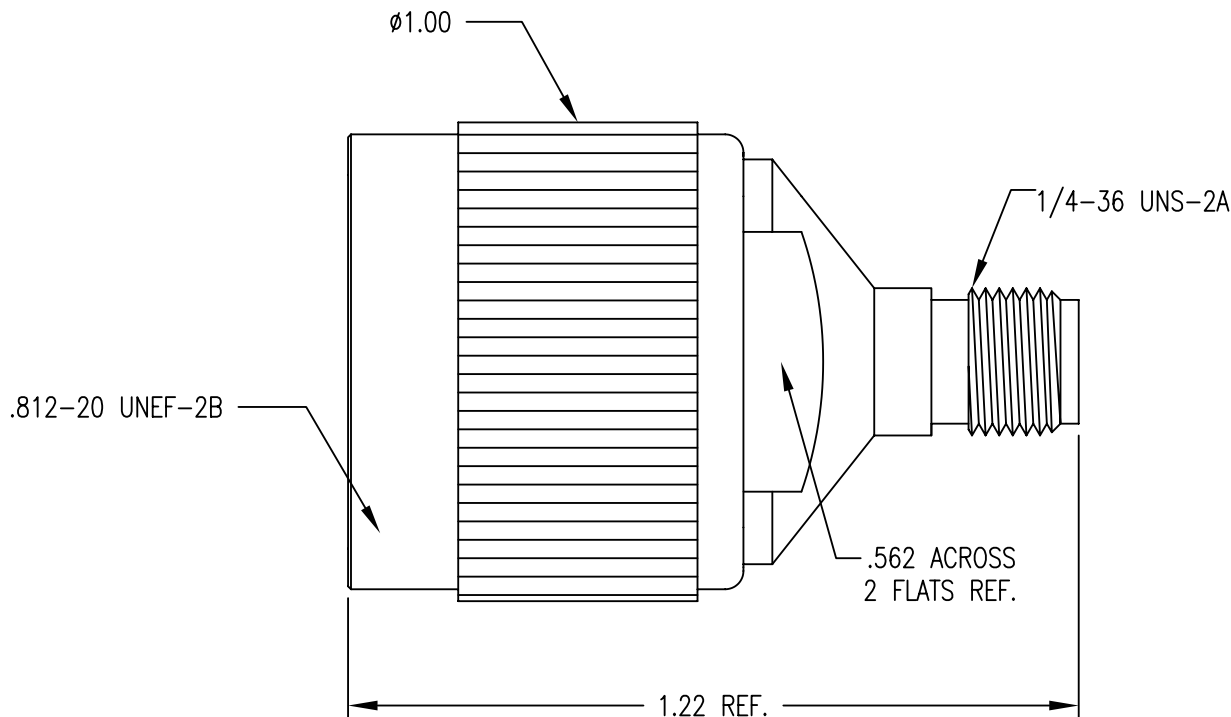


- 1.0 PERFORMANCE: (sea level)
- 1.1 FREQUENCY RANGE: DC-18 GHz  
VSWR < {(1.10, 3GHz), (1.20, 7GHz), (1.30, 12.4GHz), (1.45, 18GHz)}
- 1.2 VOLTAGE RATING: 500V RMS
- 1.3 NOMINAL IMPEDANCE: 50 OHMS
- 1.4 DWV: 1000V RMS @ 60 Hz
- 1.5 TEMPERATURE RANGE: -65°C TO +165°C
- 2.0 MATERIALS
- 2.1 DIELECTRIC: PTFE
- 2.2 GASKET: OMIT

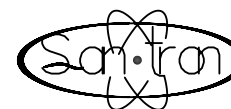
- 2.3 CENTER CONTACT: BERYLLIUM COPPER
- 2.4 LOCKING RING: PHOSPHOR BRONZE
- 2.5 ALL OTHER METAL PARTS: BRASS
- 3.0 FINISHES
- 4.0 MECHANICAL
- 4.1 INTERFACES IN ACCORDANCE WITH MIL-STD-348

DWG NO. OL-0910-100-1		REV. A
PART NUMBER 0910-100-NG	BODY NICKEL	CONTACT GOLD/Cu

PLATE PER STI 7.3.1-8



PROPRIETARY  
THIS DRAWING CONTAINS CONFIDENTIAL INFORMATION  
PROPRIETARY TO SAN\*TRON INC. IT MUST NOT BE  
REPRODUCED OR DISCLOSED TO OTHERS OR USED IN  
ANY OTHER WAY, IN WHOLE OR PART EXCEPT AS  
AUTHORIZED IN WRITING BY SAN\*TRON INCORPORATED.



SAN • TRON, INC.

4 NEWBURYPORT TPK, IPSWICH, MA 01938

REMOVE ALL BURRS AND SHARP  
EDGES .005 MAX.  
UNLESS OTHERWISE STATED  
ALL DIMENSIONS ARE IN INCHES  
AND APPLY AFTER PLATING

TITLE ADAPTER, STRAIGHT,  
NTR (M)-SMA (F)

MATERIAL:  
SEE NOTE 2.0

FINISH:  
SEE NOTE 3.0

Rev.	Revisions	Date	Dwn.	Appd.
A	ORIGINAL: 0910-11-NG	6/2/2008		

RECOM. STOCK SIZE	FT/M PCS	QTY REQD
-------------------	----------	----------

UNSPECIFIED TOL.	DWN	FSH	6/2/08
DEC. ± .005	CHKD	SJS	/
FRAC. ± 1/64	APPR	FSH	6/2/08
ANG. ± 1/2°			

CONCENTRICITY .004 TIR 63  
ALL MACHINED SURFACES ✓

FSCM NO. 50896

DWG NO.

REV.

SCALE 4:1

OL-0910-100-1

A