



WR-102 to N Female Waveguide to Coax
Adapter 7 GHz to 11 GHz

TECHNICAL DATA SHEET

PE9802

Configuration

Waveguide Interface	WR-102
Flange Design	Standard
RF Connector	N Female
RF Connector Impedance	50 Ohms

Electrical Specifications

Frequency Range, GHz	7 to 11
Maximum VSWR	1.3:1

Mechanical Specifications

Size

Length, in [mm]	2.28 [57.91]
Width/Dia., in [mm]	1.688 [42.88]
Height, in [mm]	1.5 [38.1]
Weight, lbs [g]	0.17 [77.11]

Waveguide Interface

Type	WR-102
Body Material and Plating	Aluminum

RF Connector

Type	N Female
Body Material and Plating	Passivated Stainless Steel

Compliance Certifications (visit www.Pasternack.com for current document)

Not RoHS Compliant

Click the following link (or enter part number in "SEARCH" on website) to obtain additional part information including price, inventory and certifications: [WR-102 to N Female Waveguide to Coax Adapter 7 GHz to 11 GHz PE9802](#)



WR-102 to N Female Waveguide to Coax Adapter 7 GHz to 11 GHz

TECHNICAL DATA SHEET

PE9802

Plotted and Other Data

Notes:

- Values at +25 °C, sea level

WR-102 to N Female Waveguide to Coax Adapter 7 GHz to 11 GHz from Pasternack Enterprises has same day shipment for domestic and International orders. Our RF, microwave and millimeter wave products maintain a 99% availability and are part of the broadest selection in the industry.

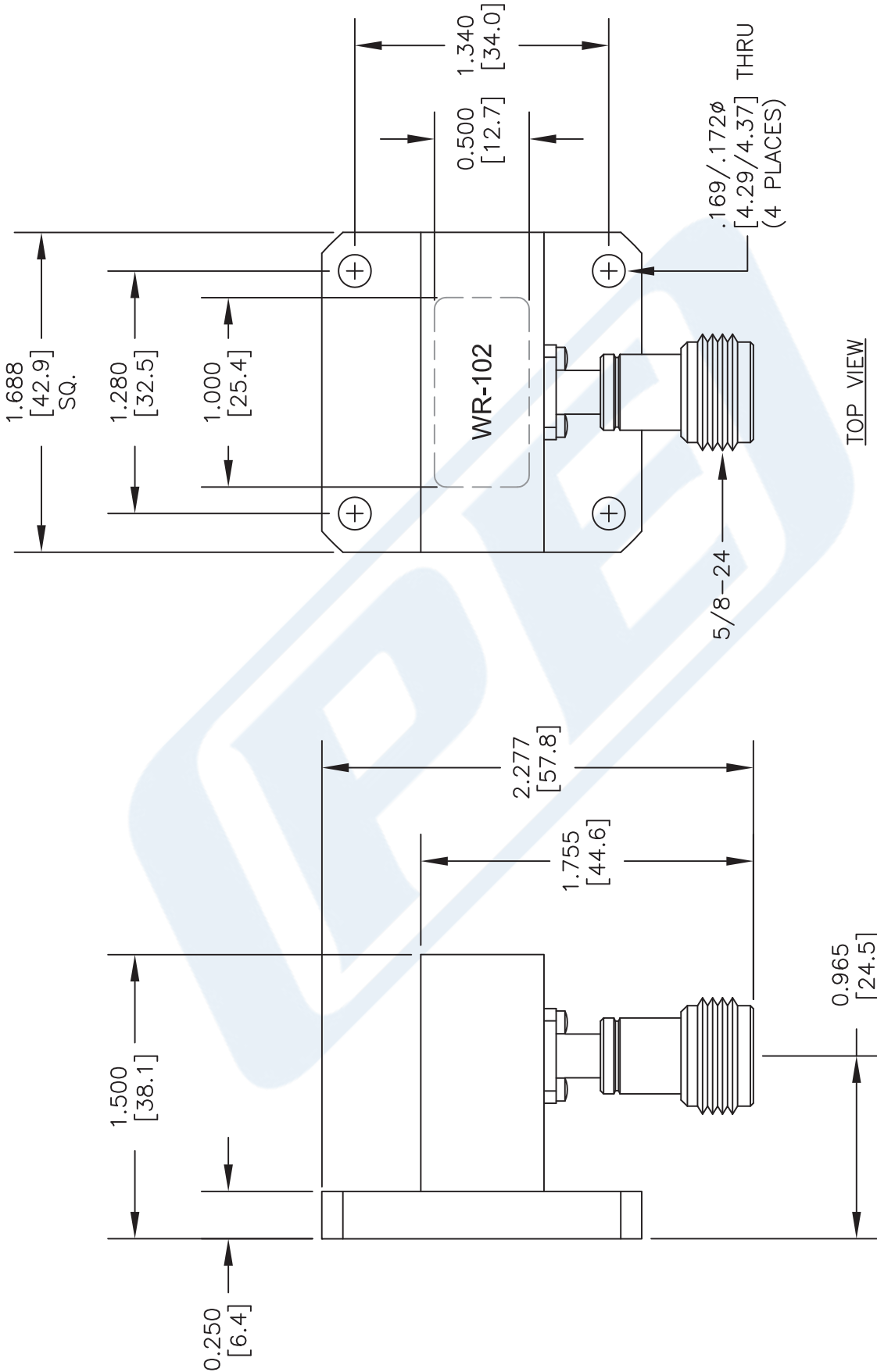
Click the following link (or enter part number in "SEARCH" on website) to obtain additional part information including price, inventory and certifications: [WR-102 to N Female Waveguide to Coax Adapter 7 GHz to 11 GHz PE9802](#)

URL: <http://www.pasternack.com/waveguide-to-n-female-frequency-range-700-1100-ghz-pe9802-p.aspx>

The information contained in this document is accurate to the best of our knowledge and representative of the part described herein. It may be necessary to make modifications to the part and/or the documentation of the part, in order to implement improvements. Pasternack reserves the right to make such changes as required. Unless otherwise stated, all specifications are nominal. Pasternack does not make any representation or warranty regarding the suitability of the part described herein for any particular purpose, and Pasternack does not assume any liability arising out of the use of any part or documentation.

PE9802 CAD Drawing

WR-102 to N Female Waveguide to Coax Adapter 7 GHz to 11 GHz



NOTES:
 1. UNLESS OTHERWISE SPECIFIED ALL DIMENSIONS ARE NOMINAL.
 2. ALL SPECIFICATIONS ARE SUBJECT TO CHANGE WITHOUT NOTICE AT ANY TIME.
 3. DIMENSIONS ARE IN INCHES [mm].

DWG TITLE
PE9802

FSCM NO. 53919

CAD FILE 022814

SCALE N/A

SIZE A

2233

PE PASTERNAK
 THE ENGINEER'S RF SOURCE
 Pasternack Enterprises, Inc.
 P.O. Box 16759 | Irvine | CA | 92623
 Phone: (949) 261-1920 | Fax: (949) 261-7451
 Website: www.pasternack.com | E-Mail: sales@pasternack.com