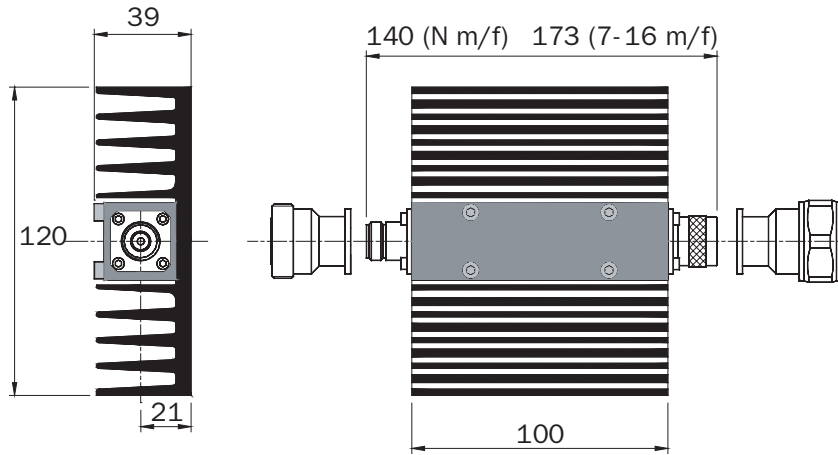
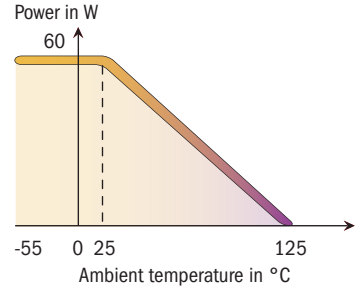




Standards
NF C 96-315
MIL-DTL-3933



Impedance 50 Ω ± 5%
 Frequency DC - 2.5 GHz
 Max VSWR ≤ 1.20 at 1 GHz, ≤ 1.30 at 2 GHz
 Temperature range -55 to +125°C
 Average power @ 25°C 60 W
 Weight 660 g



Dimensions in mm

| Attenuation (dB) | P/N (N m/f) | P/N (7-16 m/f) | Accuracy* ±Δα (dB) |
|------------------|-------------|----------------|--------------------|
| 1 | 16-6588 | 16-6644 | 0.3 |
| 2 | 16-6589 | 16-6645 | 0.3 |
| 3 | 16-6565 | 16-6620 | 0.3 |
| 6 | 16-6566 | 16-6621 | 0.3 |
| 10 | 16-0170 | 16-6622 | 0.5 |
| 20 | 16-6567 | 16-6623 | 0.5 |
| 30 | 16-0166 | 16-6624 | 1 |
| 40 | 16-6568 | 16-6625 | 1 |

* at 2 GHz

Others attenuations on request