



6 dB Fixed Attenuator, TNC Male To TNC Female Aluminum Heatsink Black Anodized Body Rated To 10 Watts Up To 18 GHz

TECHNICAL DATA SHEET

PE7053-6

**6 dB Fixed Attenuator, TNC Male To TNC Female Aluminum Heatsink Black Anodized Body Rated To 10 Watts Up To 18 GHz**

**Configuration**

Design	Fixed, Bidirectional Attenuator
Connector 1	TNC Male
Connector 2	TNC Female
Body Material and Plating	Aluminum Heatsink, Black Anodized

**Electrical Specifications**

Frequency Range, GHz	DC to 18
Impedance, Ohms	50
Attenuation Value, dB	6
Maximum Input Power, Watts	10
Maximum VSWR	1.4:1

**Frequency 1**

Range, GHz	DC to 18
VSWR	1.4:1
Attenuation Accuracy, dB	± 0.5

**Mechanical Specifications**

**Size**

Length, in [mm]	2.585 [65.66]
Width, in [mm]	1 [25.4]

**Connector 1**

Type	TNC Male
Connector Specification	MIL-STD-348
Contact Material and Plating	Beryllium Copper, Gold
Coupling Nut Material and Plating	Passivated Stainless Steel
Hex Size, in.	5/8
Torque, in-lbs [Nm]	14 [1.58]
Body Material and Plating	Passivated Stainless Steel

**Connector 2**

Type	TNC Female
Connector Specification	MIL-STD-348
Contact Material and Plating	Beryllium Copper, Gold
Body Material and Plating	Passivated Stainless Steel

Click the following link (or enter part number in "SEARCH" on website) to obtain additional part information including price, inventory and certifications: [6 dB Fixed Attenuator, TNC Male To TNC Female Aluminum Heatsink Black Anodized Body Rated To 10 Watts Up To 18 GHz PE7053-6](#)

The information contained in this document is accurate to the best of our knowledge and representative of the part described herein. It may be necessary to make modifications to the part and/or the documentation of the part, in order to implement improvements. Pasternack reserves the right to make such changes as required. Unless otherwise stated, all specifications are nominal.





6 dB Fixed Attenuator, TNC Male To TNC Female Aluminum Heatsink Black Anodized Body Rated To 10 Watts Up To 18 GHz

TECHNICAL DATA SHEET

PE7053-6

**Compliance Certifications** (visit [www.Pasternack.com](http://www.Pasternack.com) for current document)  
RoHS Compliant Yes

**Plotted and Other Data**  
Notes:

Values at 25 °C, sea level

6 dB Fixed Attenuator, TNC Male To TNC Female Aluminum Heatsink Black Anodized Body Rated To 10 Watts Up To 18 GHz from Pasternack Enterprises has same day shipment for domestic and International orders. Our RF, microwave and fiber optic products maintain a 99% availability and are part of the broadest selection in the industry.

Click the following link (or enter part number in "SEARCH" on website) to obtain additional part information including price, inventory and certifications: [6 dB Fixed Attenuator, TNC Male To TNC Female Aluminum Heatsink Black Anodized Body Rated To 10 Watts Up To 18 GHz PE7053-6](http://www.pasternack.com/6db-fixed-tnc-male-tnc-female-10-watts-attenuator-pe7053-6)

URL: <http://www.pasternack.com/6db-fixed-tnc-male-tnc-female-10-watts-attenuator-pe7053-6-p.aspx>

The information contained in this document is accurate to the best of our knowledge and representative of the part described herein. It may be necessary to make modifications to the part and/or the documentation of the part, in order to implement improvements. Pasternack reserves the right to make such changes as required. Unless otherwise stated, all specifications are nominal.

# PE7053-6 CAD Drawing

6 dB Fixed Attenuator, TNC Male To TNC Female Aluminum Heatsink  
Black Anodized Body Rated To 10 Watts Up To 18 GHz

P/N	ATTEN.	FIGURE
PE7053-1	1 dB	1
PE7053-2	2 dB	1
PE7053-3	3 dB	1
PE7053-6	6 dB	1
PE7053-10	10 dB	1
PE7053-20	20 dB	1
PE7053-30	30 dB	2
PE7053-40	40 dB	2

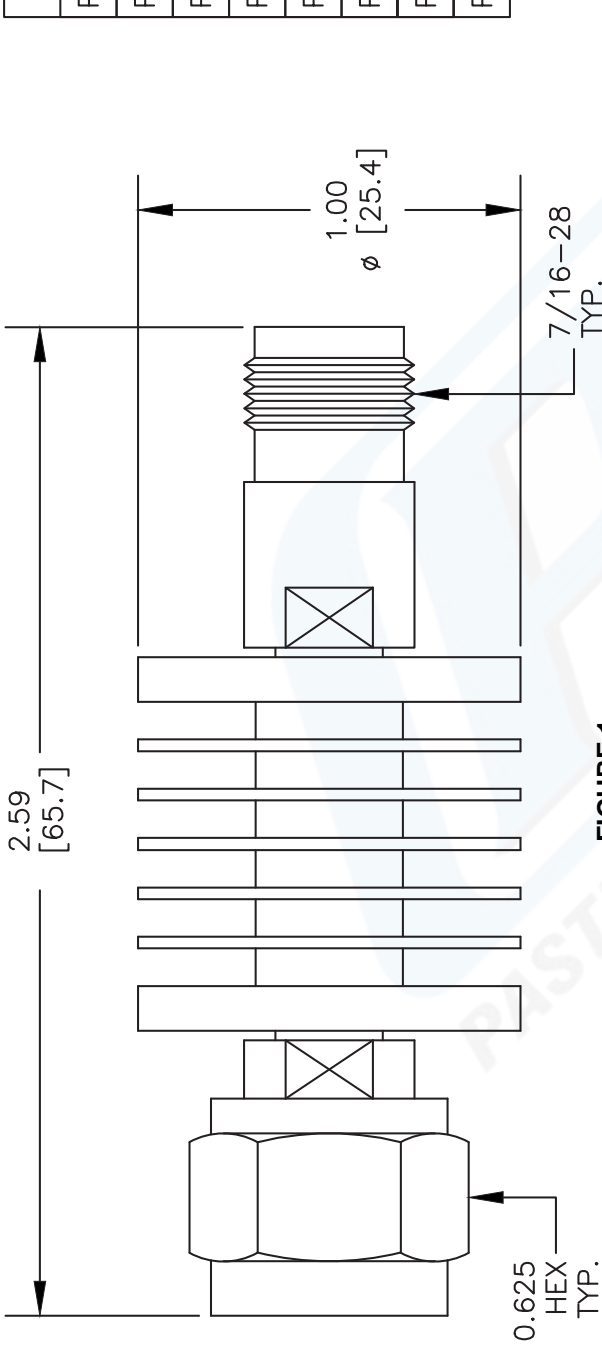


FIGURE 1

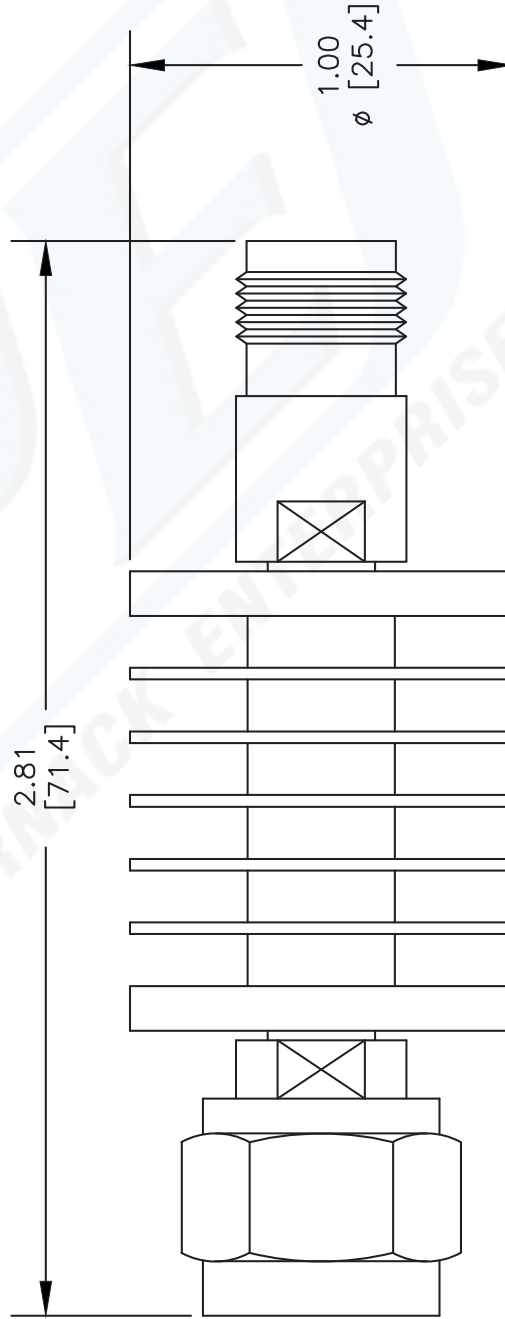


FIGURE 2

TNC MALE

TNC FEMALE



Pasternack Enterprises, Inc.  
P.O. Box 16759 | Irvine | CA | 92623  
Phone: (949) 261-1920 | Fax: (949) 261-7451  
Website: www.pasternack.com | E-Mail: sales@pasternack.com

DWG TITLE

**PE7053**

FSCM NO. 53919

NOTES:  
1. UNLESS OTHERWISE SPECIFIED ALL DIMENSIONS ARE NOMINAL.  
2. ALL SPECIFICATIONS ARE SUBJECT TO CHANGE WITHOUT NOTICE AT ANY TIME.  
3. DIMENSIONS ARE IN INCHES [mm].

CAD FILE 030613

SCALE N/A

SIZE A

XXXX