

NOTES:

1. MATERIALS AND FINISHES:

BODY: STAINLESS STEEL, PASSIVATED
 CONTACT: BERYLLIUM COPPER, GOLD PLATED
 INSULATOR: TFE FLUOROCARBON

2. ELECTRICAL PERFORMANCE:

FREQUENCY: DC TO 7 GHz
 VSWR: 1.075 MAX. (DC TO 3 GHz)
 1.200 MAX. (3 TO 7 GHz)

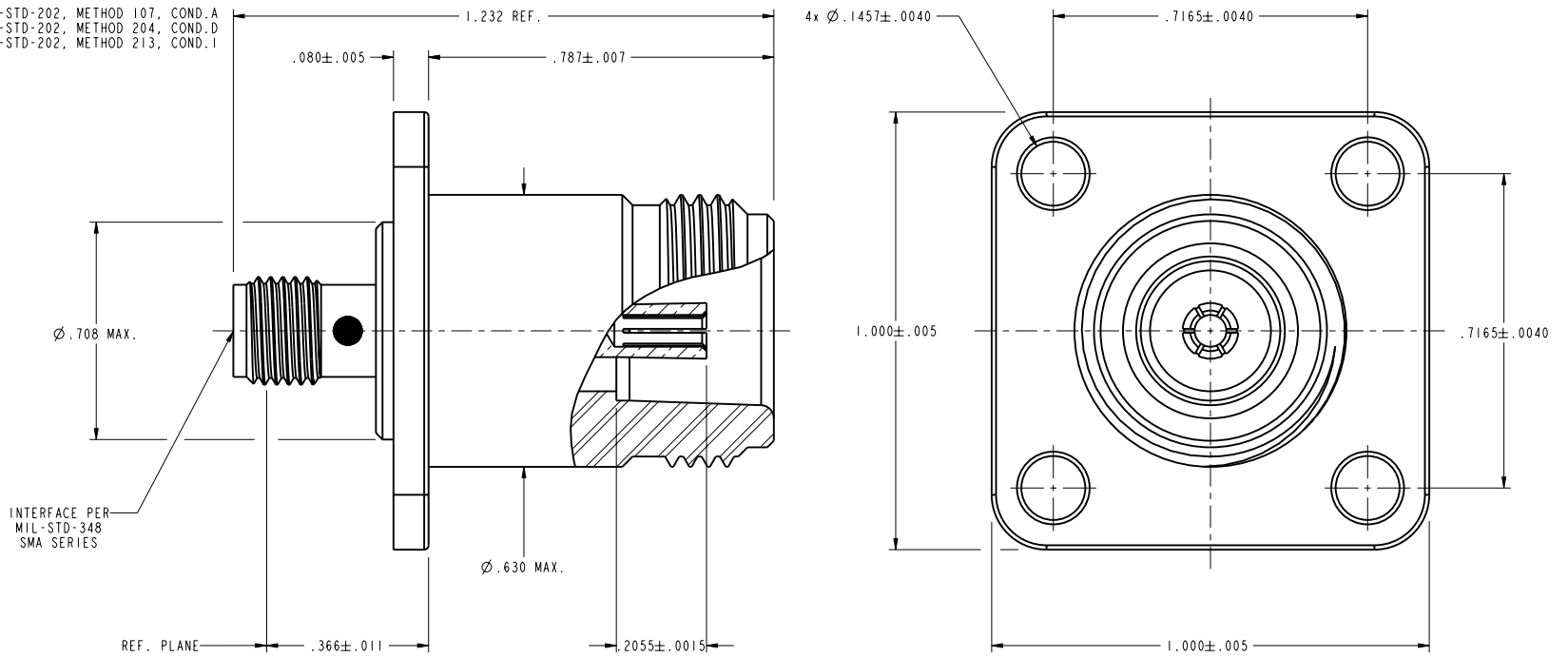
3. ENVIRONMENTAL PERFORMANCE:

THERMAL SHOCK: MIL-STD-202, METHOD 107, COND. A
 VIBRATION: MIL-STD-202, METHOD 204, COND. D
 SHOCK: MIL-STD-202, METHOD 213, COND. I

CUSTOMER OUTLINE DRAWING

ALL OTHER SHEETS ARE FOR INTERNAL USE ONLY

901-9720-WT		REVISIONS			
DRAWING NO.	REV	DESCRIPTION	DATE	ECO	APPR
THIRD ANGLE PROJ.	A	OFFICIAL ENG. RELEASE TO MFG.	08-22-96	41513	CPM/BG
	B	REDRAWN ON PRO/E, SEE E.C.O. FOR DETAILS	12/19/96	41630	BCG



UNLESS OTHERWISE SPECIFIED, DIMENSIONS ARE IN INCHES AND TOLERANCES ARE: 2 PLACE DECIMAL 3 PLACE DECIMAL ANGLES ±.015 (0.381 mm) ±.005 (0.127 mm) ± 1°	MATERIAL	DRAWN D. LUI	DATE 04-Oct-96	TITLE ADAPTOR SMA(J)-N(J) 7 GHz		Amphenol Amphenol Corporation Communication and Network Products Division Danbury, CT U.S.A. 06810
	REFERENCE EAR 966347-0 GEN# ASSYF5_SMA_N	ENGINEER B. GLEISSNER	DATE 04-Oct-96	APPROVED B. GLEISSNER	DATE 12/16/96	
NOTICE - These drawings, specifications, or other data (1) are, and remain the property of Amphenol Corp. (2) must be returned upon request; and (3) are confidential and not to be disclosed to any person other than those to whom they are given by Amphenol Corp. The furnishing of these drawings, specifications, or other data by Amphenol Corp., or to any other person to anyone for any purpose is not to be regarded by implication or otherwise in any manner licensing, granting rights or permitting such holder or any other person to manufacture, use or sell any product, process or design, patented or otherwise, that may in any way be related to or disclosed by said drawings, specifications, or other data.	CAD FILE I:\SMA\901-9720-WT	CODE ID 74868	DWG SIZE B	DRAWING NO. 901-9720-WT	REV B	