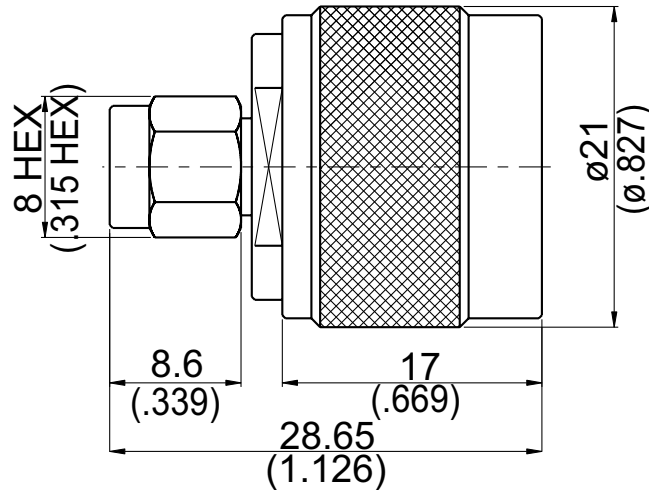


AD-A6N3

SMA Reverse Polarity Plug To N Plug 50Ω



Typical VSWR

Part Number	1Ghz	2Ghz	3Ghz	4Ghz	5Ghz	6Ghz	7Ghz	8Ghz
AD-A6N3	1.05	1.07	1.08	1.08	1.13	1.18	1.19	1.22
	9Ghz	10Ghz	11Ghz	12Ghz	13Ghz	14Ghz	15Ghz	/
	1.22	1.22	1.22	1.22	1.22	1.27	1.3	/

Parts	Material	Plating (Micro-inch)
Retainer Ring	Beryllium Copper	Tin-Zinc-Copper-Alloy 100 Over Copper 50
Gasket	Silicon	
Coupling Nut(SMA)	Brass	Gold 5 Over Nickel 50 Over Copper 50
Retainer Ring	Brass	Tin-Zinc-Copper-Alloy 100 Over Copper 50
Contact Pin	Phosphor Bronze	Gold 10 Over Nickel 50 Over Copper 50
Insulator	Teflon	
Body(SMA)	Brass	Gold 5 Over Nickel 50 Over Copper 50
Body(N)	Brass	Tin-Zinc-Copper-Alloy 100 Over Copper 50
Coupling Nut(N)	Brass	Tin-Zinc-Copper-Alloy 100 Over Copper 50

Weight: 32.12 g

This part number complies with RoHS.

Notice: JYEBAO reserves the right to make modifications deemed appropriate.