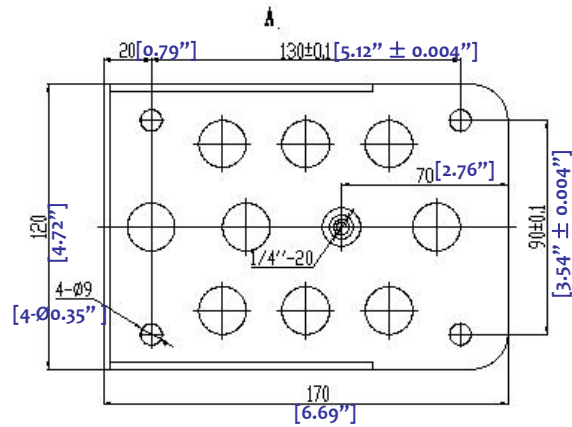
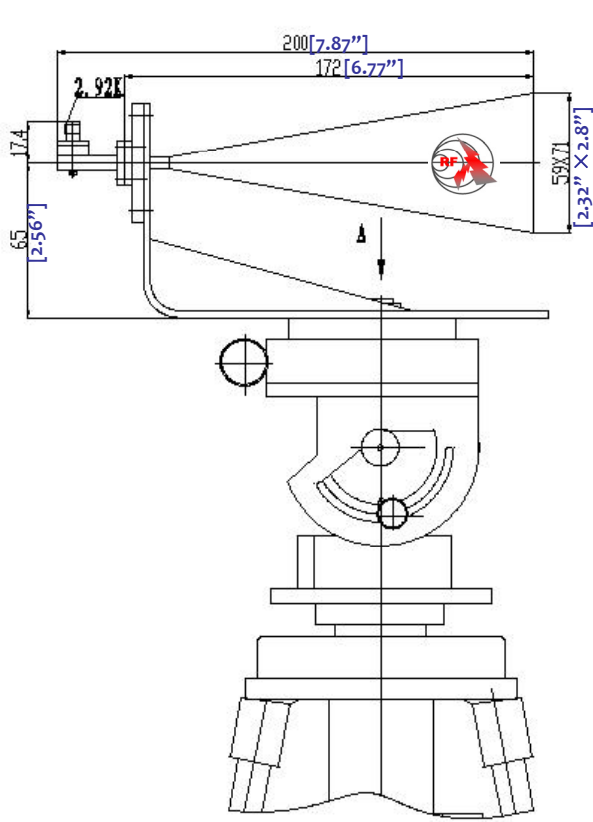



# WR28 WAVEGUIDE HORN ANTENNA – RW28HORN24D



3.0 Electrical Specifications	
3.1	Frequency Range 26.5-40GHz
3.2	Gain 24.7dB
3.2	VSWR 1.5:1 (max)

1.0 Mechanical Specifications	
1.1	Waveguide type Rectangular Waveguide <b>WR28</b>
1.2	Flange type CPRF, COVER
1.3	Flange Holes Through
1.4	Basis-material Brass
1.5	Internal Body Finish Silver Plated chromate or conversion
1.6	External Body Finish Body painted with gray/black epoxy enamel

2.0 Environment specifications	
2.1	Operation Temp. -40°C~+70°C
2.2	Storage Temp. -50°C~+125°C
2.3	Altitude 45000 ft
2.4	Vibration 10g rms (15 degree 2KHz)
2.5	Humidity 100% RH at 35c, 95%RH at 40 deg c
2.6	Shock 20G for 11msc

PAGE 1 OF 1		DATE Jun 21 <sup>st</sup> 2006
 <b>RW28HORN24D WAVEGUIDE HORN ANTENNA</b>		DESIGN RFPC
		RF-LAMBDA RFPC
		CAD MODEL REVISION 11
		ASSEMBLY REVISION VS5DS
<a href="http://www.rflambda.com">www.rflambda.com</a>		ASSEMBLY NAME RFLVR05
<b>RF-LAMBDA</b>		DRAWING NUMBER D05-1
SIZE LT	SHEETS 1 OF 1	