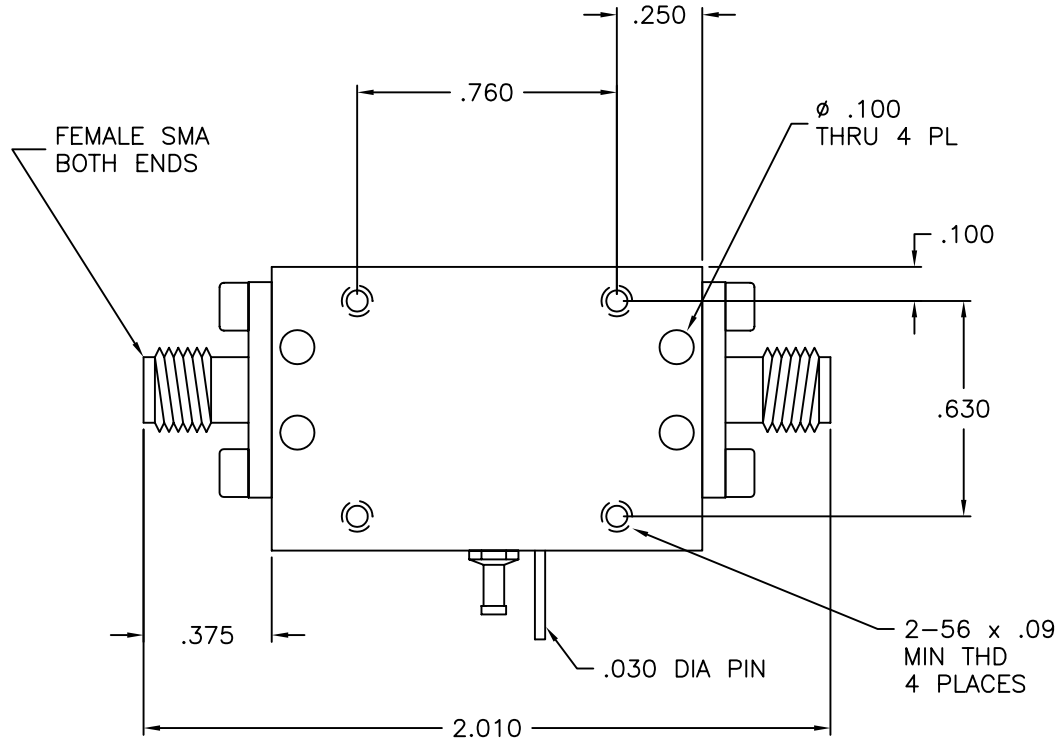
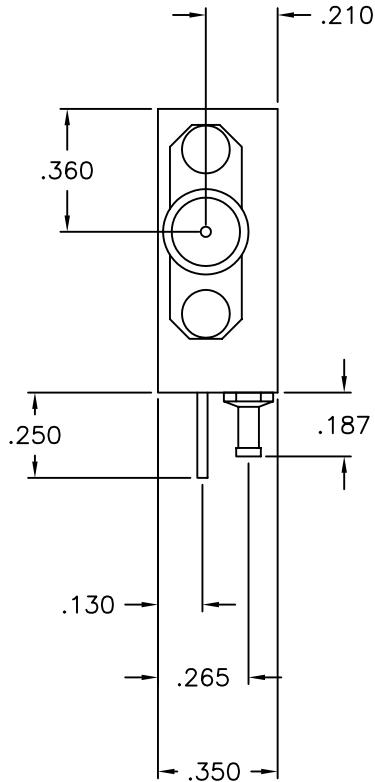
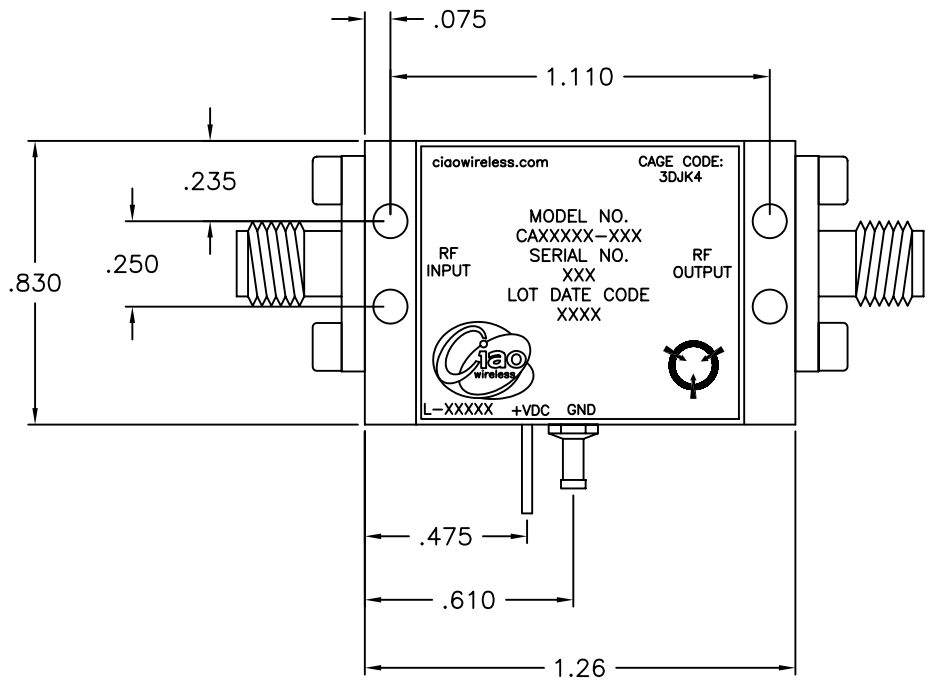


REVISIONS					
ZONE	REV	DESCRIPTION	ECO#	DATE	APPROVED
	A	RELEASED			



ITEM NO.	QTY REQD	PART OR IDENTIFYING NO.	NOMENCLATURE OR DESCRIPTION	MATERIAL SPECIFICATION
PARTS LIST				
UNLESS OTHERWISE SPECIFIED: DIMENSIONS ARE IN INCHES. TOLERANCES ARE:		CONTRACT NO.		
FRACTIONS DECIMALS HOLES ANGLES		APPROVALS DATE		
± 1/64 .XX ±.03 .XX ±.03 ± 0°30'		DRAWN J. LACBAIN 4/7/04		
MACHINED FINISH: 32 RMS		CHECKED		
REMOVE BURRS .005 MAX		MECHANICAL ENGR		
MATERIAL		ELECTRICAL ENGR		
ALUMINUM 6061-T6		PRODUCT ASSURANCE		
FINISH ELECTROLESS NICKEL PER MIL-C-26074 CLASS 4 GRADE B .0005 ± .0001 MAX		PLANNING		
NEXT ASSY		MANUFACTURING		
USED ON		SCALE 1/1		
APPLICATION		SHEET 1 OF 1		
		DO NOT SCALE DRAWING		
		SIZE B		
		CAGE CODE 3DJK4		
		DWG. NO. 30041		
		REV. A		



**CIAO WIRELESS**  
4000 VIA PESCADOR  
CAMARILLO CA, 93012

Q3 ICD AMPLIFIER

DWG NO. 30041 REV A