

Product Features

- ◆ RF frequency: 130-140 GHz
- ◆ Linear gain: 16 dB Typ.
- ◆ Noise Figure: 6 dB
- ◆ Broadband Operation
- ◆ WR-6.5 Waveguide Interfaces

Performance Characteristics (Ta = 25°C)

Specification	Min	Typ	Max	Unit
Frequency	130		140	GHz
Linear Gain		18		dB
Noise Figure		6		dB
Output Power		TBD		mW
Bias Voltage		2		V
Bias Current		50		mA

Absolute Maximum Ratings (Ta = 25°C)

Parameter	Min	Max	Unit
Bias Voltage		2.3	V
Bias Current		60	mA
Input Power		TBD	dBm
Temperature			DegC

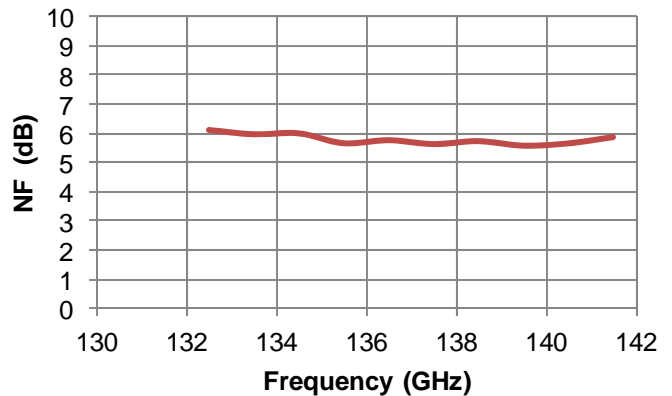
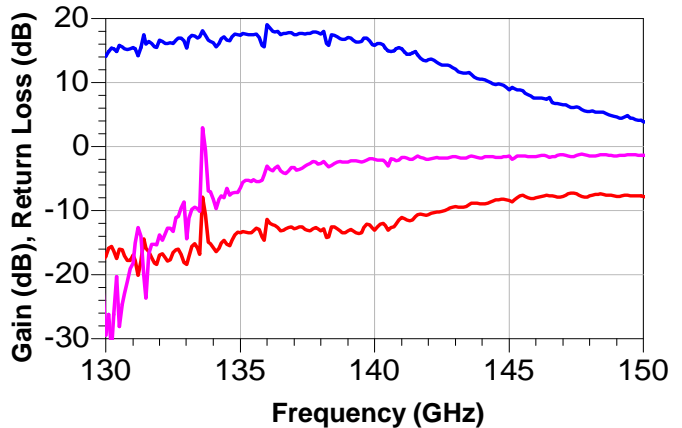
* Simulated – NF Bandwidth will be narrower than shown

Applications

- ◆ D-Band Imaging
- ◆ Sensors
- ◆ Radar
- ◆ Short Haul / High Capacity Links
- ◆ Communication Links

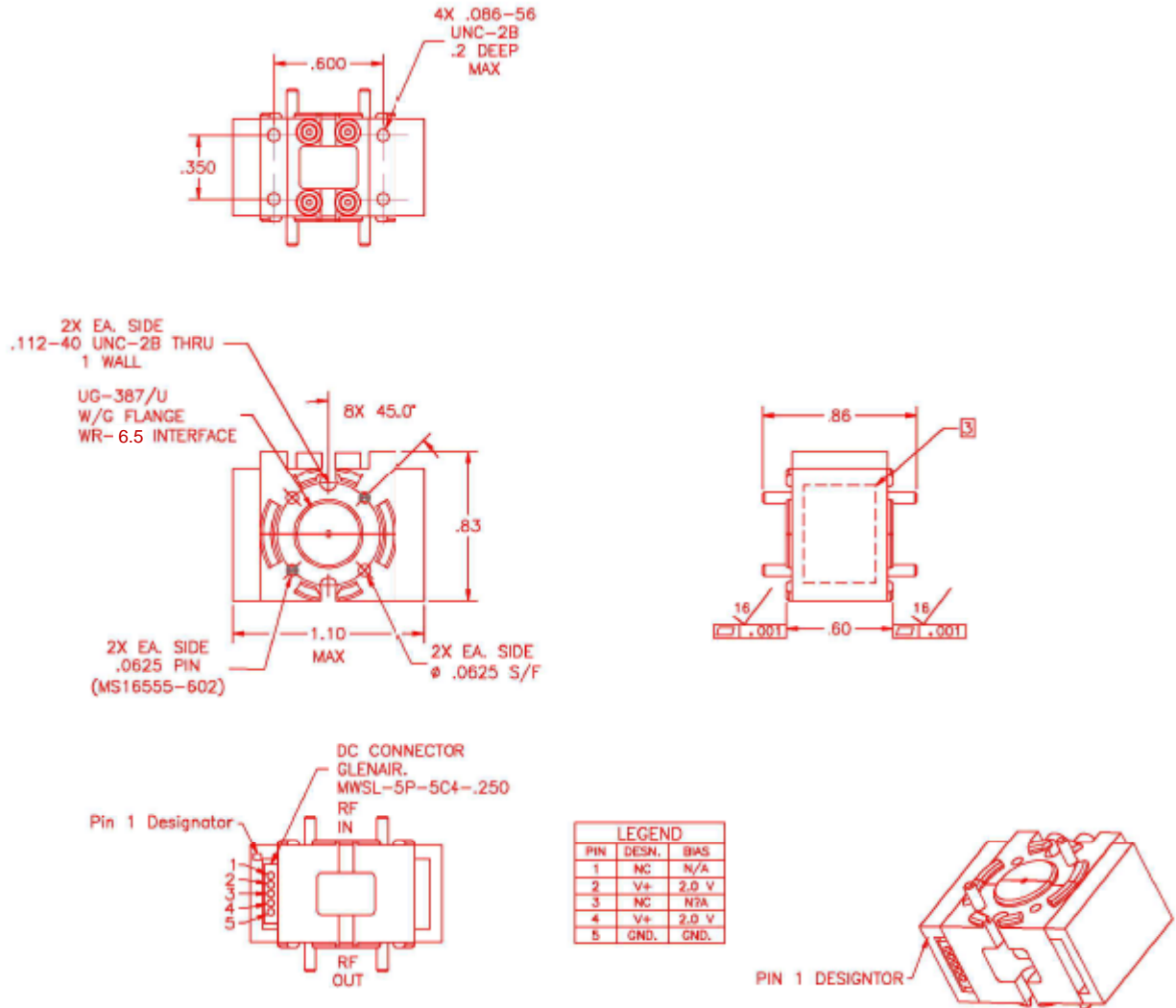
Product Description

The MLA1101 Low Noise Amplifier module is a broadband, ultra low noise amplifier using an advanced InP HEMT technology MMIC. It can be used in applications such as Imaging, Radar, commercial digital microwave radios and wireless LANs. The module uses standard WR-6.5 interfaces.



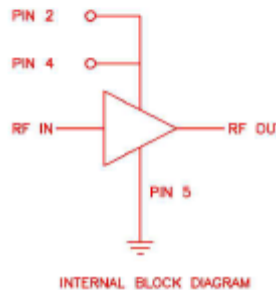
Preliminary Information: The data contained in this document describes new products in the development, sampling or preproduction phase and is for information only. Northrop Grumman reserves the right to change without notice the characteristic data and other specifications as they apply to this product. **This product is for U.S. Sales only. Export out of the U.S. may require a U.S. State Department export license.**

OUTLINE & PIN DRAWINGS



Bias

Each module will be provide with bias information and reference performance data.



Preliminary Information: The data contained in this document describes new products in the development, sampling or preproduction phase and is for information only. Northrop Grumman reserves the right to change without notice the characteristic data and other specifications as they apply to this product. **This product is for U.S. Sales only. Export out of the U.S. may require a U.S. State Department export license.**