



WR-112 Standard Gain Horn Antenna Operates From 7.05 GHz to 10 GHz With a Nominal 10 dB Gain WR-112 Input

TECHNICAL DATA SHEET

PE9858-10

**WR-112 Standard Gain Horn Antenna Operates From 7.05 GHz to 10 GHz With a Nominal 10 dB Gain WR-112 Input**

**Configuration**

Design	WR-112 Standard Gain Horn
Frequency Range, GHz	7.05 to 10
Polarization	Linear
Interface 1	WR-112

**Electrical Specifications**

Nominal Gain, dB	10
------------------	----

**Mechanical Specifications**

**Size**

Length, in [mm]	2.88 [73.15]
Width, in [mm]	1.875 [47.63]
Height, in [mm]	1.875 [47.63]

**Compliance Certifications** (visit [www.Pasternack.com](http://www.Pasternack.com) for current document)

**Plotted and Other Data**

2 Dimensional OML Drawing	PE9858-10
Notes:	Values at 25 °C, sea level

WR-112 Standard Gain Horn Antenna Operates From 7.05 GHz to 10 GHz With a Nominal 10 dB Gain WR-112 Input from Pasternack Enterprises has same day shipment for domestic and International orders. Our RF, microwave and fiber optic products maintain a 99% availability and are part of the broadest selection in the industry.

Click the following link (or enter part number in "SEARCH" on website) to obtain additional part information including price, inventory and certifications: [WR-112 Standard Gain Horn Antenna Operates From 7.05 GHz to 10 GHz With a Nominal 10 dB Gain WR-112 Input PE9858-10](http://www.pasternack.com/standard-gain-horn-waveguide-size-wr112-pe9858-10-p.aspx)

URL: <http://www.pasternack.com/standard-gain-horn-waveguide-size-wr112-pe9858-10-p.aspx>

The information contained in this document is accurate to the best of our knowledge and representative of the part described herein. It may be necessary to make modifications to the part and/or the documentation of the part, in order to implement improvements. Pasternack reserves the right to make such changes as required. Unless otherwise stated, all specifications are nominal.

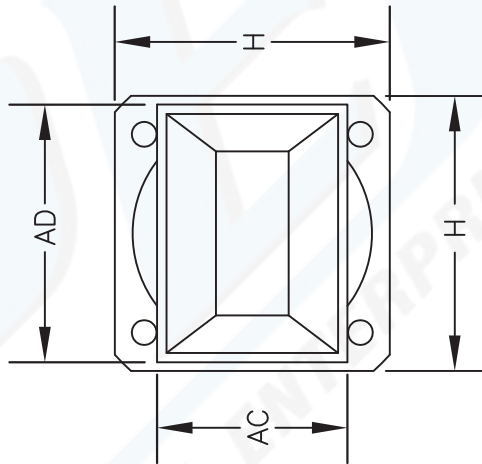
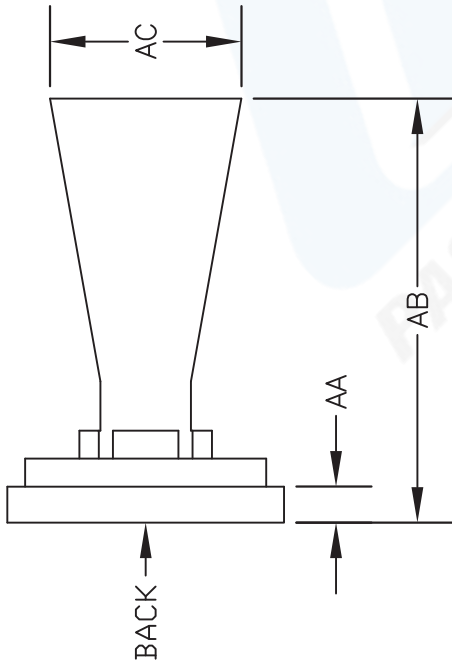


# PE9858-10 CAD Drawing

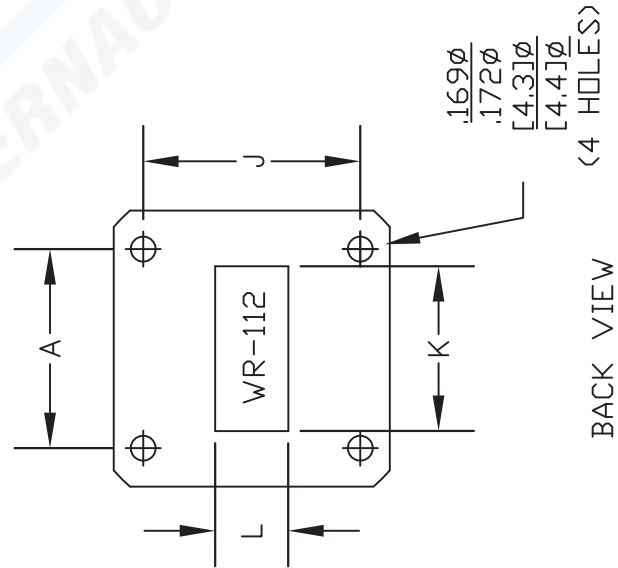
WR-112 Standard Gain Horn Antenna Operates From 7.05 GHz to 10 GHz With a Nominal 10 dB Gain WR-112 Input

WR112		Inches	mm
A	Dimension	1.352	34.34
H		1.875	47.63
J		1.474	37.44
K	(±0.004)	1.122	28.50
L	(±0.004)	0.497	12.62

AA	0.250	6.35
AB	2.880	73.15
AC	1.300	33.02
AD	1.750	44.45



FRONT VIEW



BACK VIEW

NOTES:  
 1. UNLESS OTHERWISE SPECIFIED ALL DIMENSIONS ARE NOMINAL.  
 2. ALL SPECIFICATIONS ARE SUBJECT TO CHANGE WITHOUT NOTICE AT ANY TIME.  
 3. DIMENSIONS ARE IN INCHES (mm).

DWG TITLE

**PE9858-10**

**PASTERNAK ENTERPRISES, INC.**  
 P.O. BOX 16759, IRVINE, CA 92623  
 PHONE (949) 261-1920 FAX (949) 261-7451  
 WEB ADDRESS: [www.pasternack.com](http://www.pasternack.com)  
 E-MAIL ADDRESS: [sales@pasternack.com](mailto:sales@pasternack.com)  
**COAXIAL & FIBER OPTICS**



FSCM NO. 53919

REV. B

CAD FILE 042009

SCALE N/A

SIZE A

127