



# EUROPEAN ANTENNAS

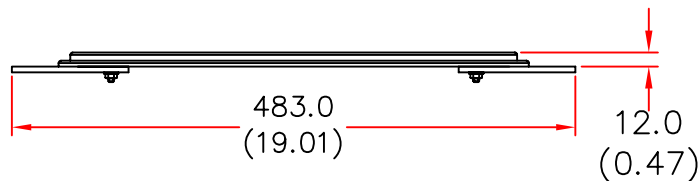


## FLAT PANEL ANTENNA

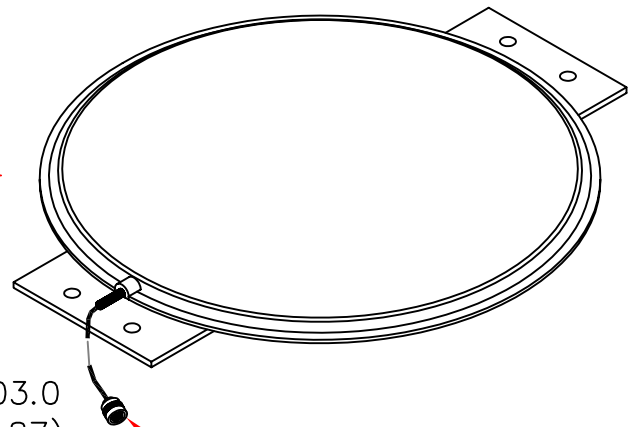
MODEL: FPA19-2460R-502/511

FREQUENCY: 2.40 – 2.50 GHz	GAIN: 18.0dBic Typical (including cable loss)
POLARISATION: R.H.Circular	BEAMWIDTH: 20° x 20°
FRONT TO BACK: 35dB Min	VSWR: 1.5 : 1
TEMPERATURE: -30°C to +55°C	MASS: 1.7Kg/3.74lbs (including mtg kit)
RADOME: White ABS	WIND LOADING: 22.9Kg/50.3lbs @100mph

### SIDE VIEW

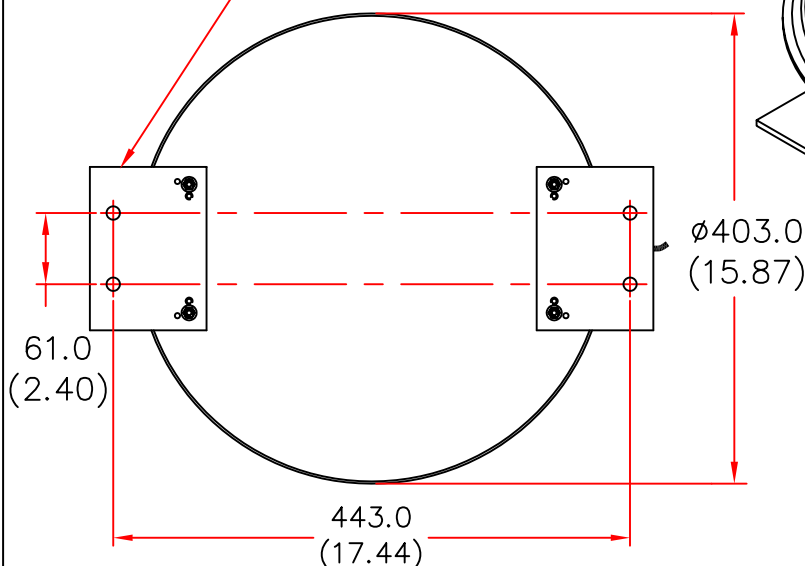


### ISOMETRIC VIEW



MOUNTING BRACKET WITH HOLES TO ACCOMMODATE 2" U-BOLTS (SUPPLIED)

INTEGRAL 1.0M RG400 CABLE WITH RPTNC PLUG CONNECTOR



### REAR VIEW

DIMENSIONS: mm (inches)

GA 511-1 Issued 090399

EUROPEAN ANTENNAS LTD.

TEL: +44 (0)1638 731888

LAMBDA HOUSE, CHEVELEY,  
NEWMARKET, SUFFOLK, CB8 9RG,  
UNITED KINGDOM.

FAX: +44 (0)1638 731999

European Antennas Ltd. has a policy of continuous development and therefore stress that the data contained on this sheet should be used for guidance only.