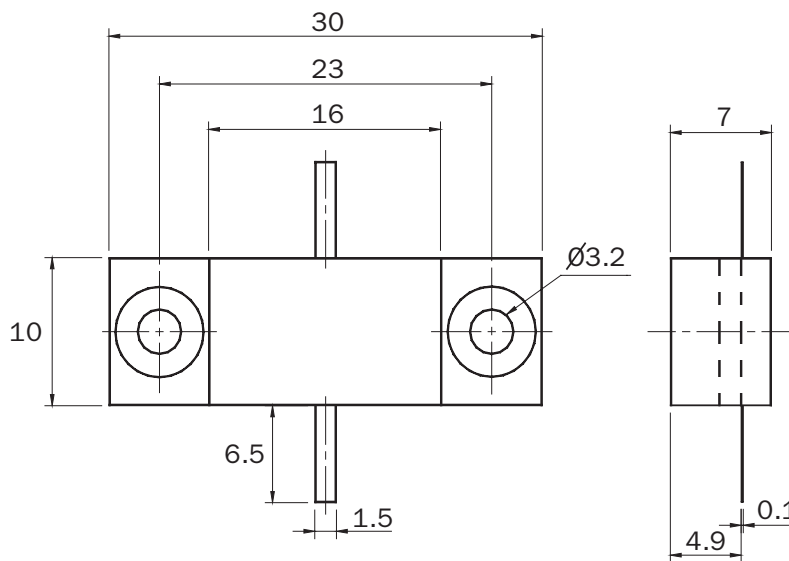
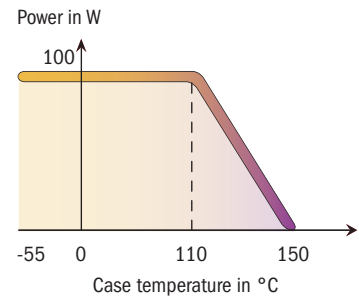




Standards
NF C 96-315
MIL-DTL-3933



Substrate	BeO
Resistive film	Thick film
Tab	Ag
Mounting flange/Plating	Cu/Ag
Cover substrate	Al ₂ O ₃



Dimensions in mm

P/N	Attenuation (dB)	Frequency (GHz)	Power (W)	Impedance ($\Omega \pm 5\%$)	Max VSWR	Accuracy $\pm \Delta\alpha$ (dB)
16-3297	1	2	100	50	1.25	0.3
16-6832	2	2	100	50	1.25	0.3
16-3298	3	2	100	50	1.25	0.3
16-3299	6	2	100	50	1.25	0.3
16-3300	10	2	100	50	1.25	0.5
16-6820	16	2	100	50	1.25	0.5
16-6574	30	2	40	50	1.25	1

mm	inch
0.1	0.004
1.5	0.059
3.2	0.126
4.9	0.193
6.5	0.256
7	0.276
10	0.394
16	0.630
23	0.906
30	1.181

* Others values on request