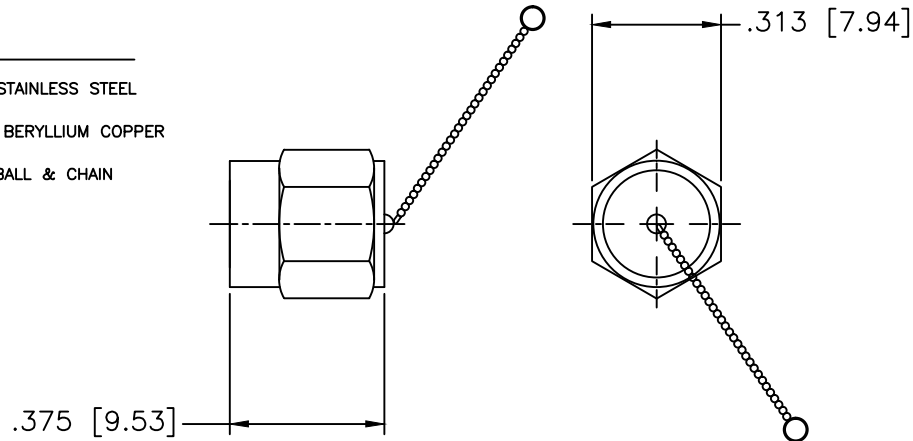


SPECIFICATIONS

FREQUENCY RANGE: DC-18 GHz
 VSWR: 1.25:1 MAX.
 INPUT POWER: 2 WATTS (1kW PEAK)
 IMPEDANCE: 50 OHMS
 OPERATING TEMPERATURE: -55°C to +150°C

MECHANICAL

CONNECTOR BODY: PASSIVATED STAINLESS STEEL
 CONTACT PROBE: GOLD PLATE BERYLLIUM COPPER
 TYPE: SMA WITH BALL & CHAIN



REVISIONS				
ZONE	REV	DESCRIPTION	Date	APPROVED

MATERIAL:		MICROWAVE COMMUNICATIONS LABORATORIES INC. 7255 30TH AVE. N. SAINT PETERSBURG, FL 33710 TEL: (727) 344-6254 FAX: (727) 381-6116 http://WWW.MCLI.COM	SCALE:	N/A
			SHEET:	N/A
UNLESS OTHERWISE SPECIFIED: TOLERANCES IN (INCHES) OR [mm] (MILLIMETERS) FRACTIONS: ± 1/64 DECIMALS: ±.01 ±.005 ANGLE: ±1/2°		DRAWING TITLE: SMA MALE WITH BALL/CHAIN TERMINATION		
DRAWN: Paiboon Luekhamhan		PART NO. TSM-2/CHN		
DATE: 10-13-2006		CAGE CODE: OD2L5		
APPROVED: T. Nguyen		DATE: 10-13-2006		SIZE: N/A REV: N/A DWG NO.: 82702
PROPRIETARY NOTICE: THE INFORMATION IN THIS DRAWING IS PROPRIETARY AND SHALL NOT BE USED OR DISCLOSED WITHOUT WRITTEN PERMISSION FROM MICROWAVE COMMUNICATIONS LABORATORIES INC. (MCLI)		DO NOT SCALE THE DRAWING		