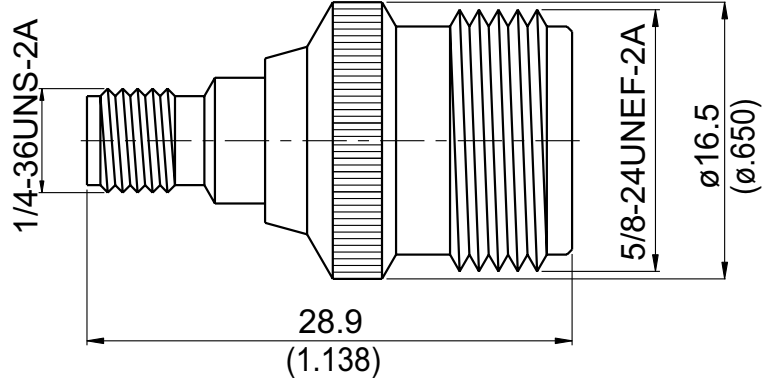


AD-A8N8	SMA Jack To N Jack	50Ω															
																	
<p>Typical VSWR</p> <table border="1" style="margin-left: auto; margin-right: 0;"> <thead> <tr> <th>Part Number</th> <th>1~3 GHz</th> <th>4 GHz</th> <th>5~14 GHz</th> </tr> </thead> <tbody> <tr> <td>AD-A8N8</td> <td>1.03</td> <td>1.04</td> <td>1.25</td> </tr> </tbody> </table>			Part Number	1~3 GHz	4 GHz	5~14 GHz	AD-A8N8	1.03	1.04	1.25							
Part Number	1~3 GHz	4 GHz	5~14 GHz														
AD-A8N8	1.03	1.04	1.25														
<table border="1" style="width: 100%; border-collapse: collapse;"> <thead> <tr> <th>Parts</th> <th>Material</th> <th>Plating (Micro-inch)</th> </tr> </thead> <tbody> <tr> <td>Center Pin</td> <td>Phosphor Bronze</td> <td>Gold 10 Over Nickel 50 Over Copper 50</td> </tr> <tr> <td>Insulator</td> <td>Teflon</td> <td></td> </tr> <tr> <td>Body(SMA)</td> <td>Brass</td> <td>Gold 5 Over Nickel 50 Over Copper 50</td> </tr> <tr> <td>Body(N)</td> <td>Brass</td> <td>Tin-Zinc-Copper-Alloy 100 Over Copper 50</td> </tr> </tbody> </table>			Parts	Material	Plating (Micro-inch)	Center Pin	Phosphor Bronze	Gold 10 Over Nickel 50 Over Copper 50	Insulator	Teflon		Body(SMA)	Brass	Gold 5 Over Nickel 50 Over Copper 50	Body(N)	Brass	Tin-Zinc-Copper-Alloy 100 Over Copper 50
Parts	Material	Plating (Micro-inch)															
Center Pin	Phosphor Bronze	Gold 10 Over Nickel 50 Over Copper 50															
Insulator	Teflon																
Body(SMA)	Brass	Gold 5 Over Nickel 50 Over Copper 50															
Body(N)	Brass	Tin-Zinc-Copper-Alloy 100 Over Copper 50															
<p>Weight: 19.92 g</p>																	

This part number complies with RoHS.

Notice: JYEBAO reserves the right to make modifications deemed appropriate.