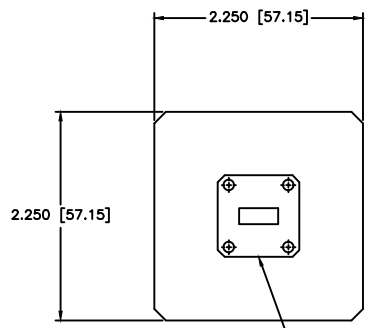


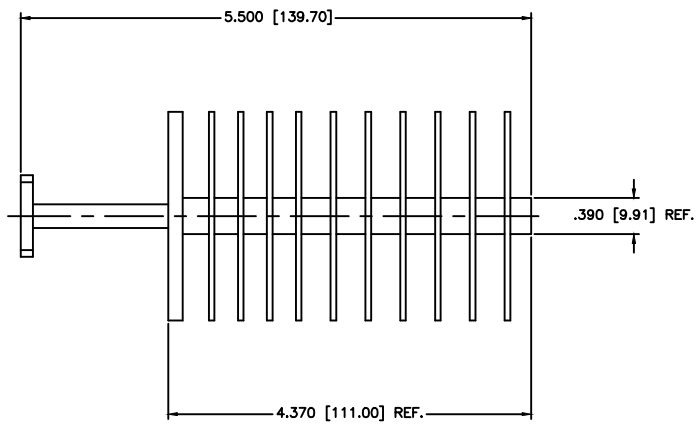
4 | 3 | 2 | 1

REVISIONS				
ZONE	REV	DESCRIPTION	DATE	APPROVED

F = FLANGE TYPES
 -6 = UG-COVER
 -7 = UG-CHOKE
 -8 = UG-COVER/GROOVE



FLANGE TYPE PER ORDER
 WR42 UG-COVER SHOWN



SPECIFICATIONS

Frequency Range: 18-26.5 GHz
 Waveguide Size: WR42 (Input)
 Flange Types: Per Order (-6,-7,-8)
 VSWR: 1.15 Max.
 Power Rating: 600 Watts AVG, 120kW Peak

ORDERING INFORMATION

EXAMPLE PART NUMBER: WL-14-F
 VERY HIGH POWER SERIES
 FREQUENCY BAND
 FLANGE TYPE

MATERIAL: ALUMINUM 6061		MICROWAVE COMMUNICATIONS LABORATORIES INC. 7225 30TH AVE. N. SAINT PETERSBURG, FL 33710 TEL: (727) 344-6254 FAX: (727) 381-8116 http://www.mcli.com		SCALE: N/A
DRAWN: Paiboon Luekhamhan		DATE: 05-04-2011	DRAWING TITLE: TERMINATION, WR42 1000 Watts	
APPROVED: T. Nguyen		DATE: 05-04-2011	PART NO. WL-14-F	
<small>UNLESS OTHERWISE SPECIFIED: TOLERANCES IN (INCHES) OR (mm) (MILLIMETERS) FRACTIONS: ± 1/64 DECIMALS: ±.01 ±.005 ANGLE: ±1/2°</small>		<small>REFERENCE: THE DIMENSIONS IN THIS DRAWING IS PROPRIETARY AND SHALL NOT BE USED IN REPRODUCING OTHER PRODUCTS FROM MICROWAVE COMMUNICATIONS LABORATORIES INC. (MCLI)</small>	CAGE CODE: OD2L5	SIZE: C REV: N/A DWG NO.: 85662
DO NOT SCALE THE DRAWING				

4 | 3 | 2 | 1