

General Description

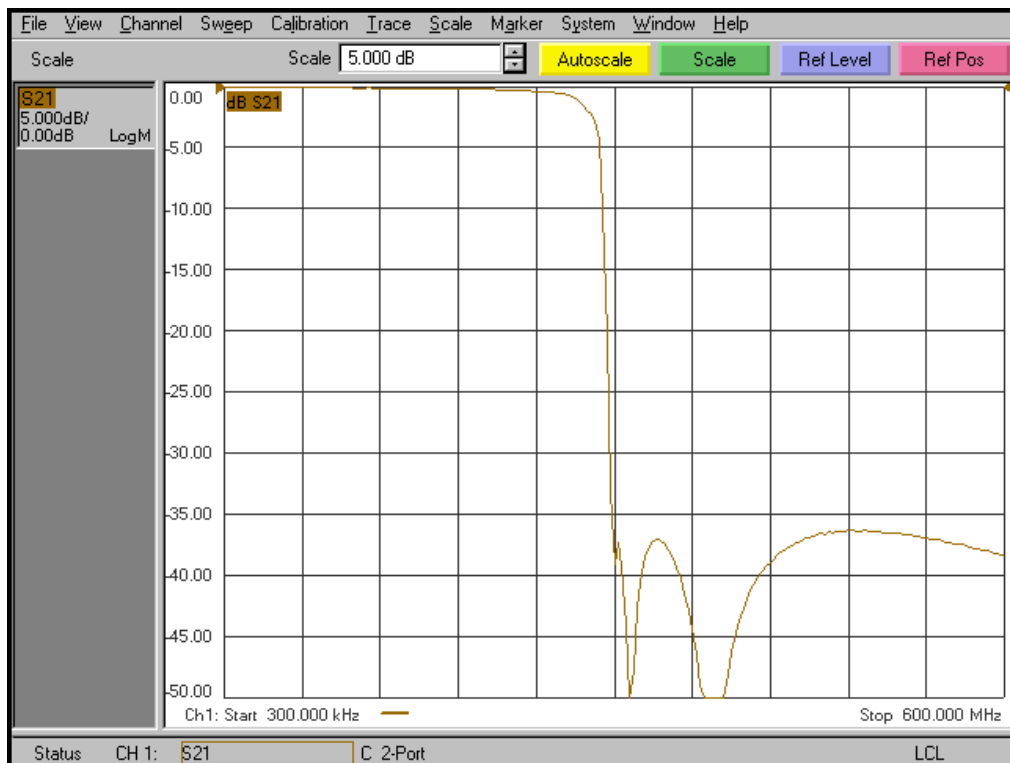
KR Electronics part number 3068 is a 250 MHz lowpass filter. The filter has a minimum 1 dB bandwidth of 250 MHz and 20 dB minimum attenuation at 300 MHz. Other frequencies are available. Please consult the factory.

Features

- 250 MHz Lowpass Filter
- Sharp Elliptic Type Design
- 50 Ω Source and Load
- Surface mount
- Also available with SMA Connectors

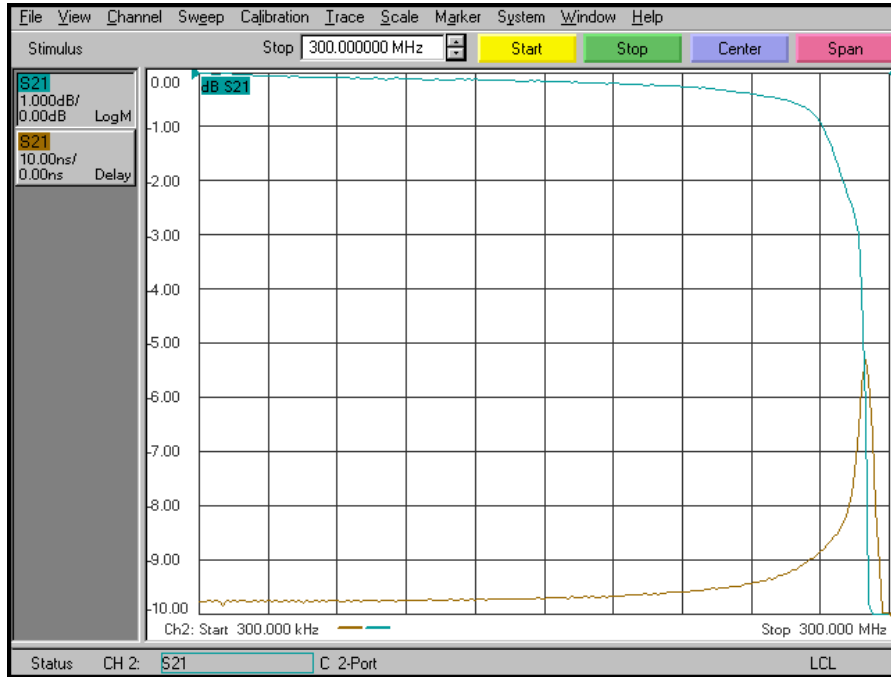
Typical Performance

Overall Response (5 dB/div)

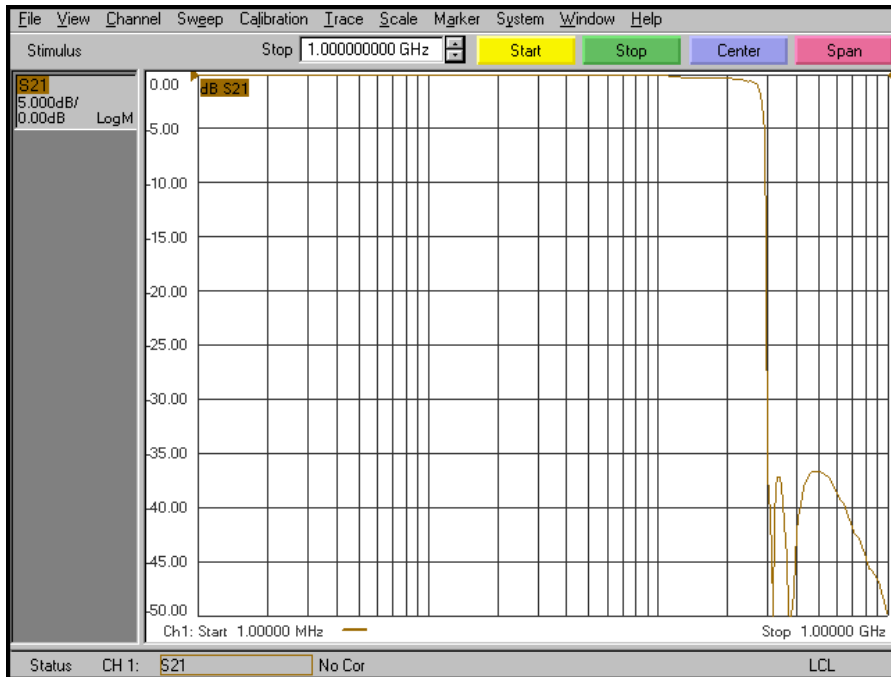


KR Electronics 3068

Passband Amplitude & Group Delay (1 dB/div & 10 nsec/div)



Overall Response (5 dB/div)



KR Electronics, Inc.
91 Avenel Street
Avenel, NJ 07001

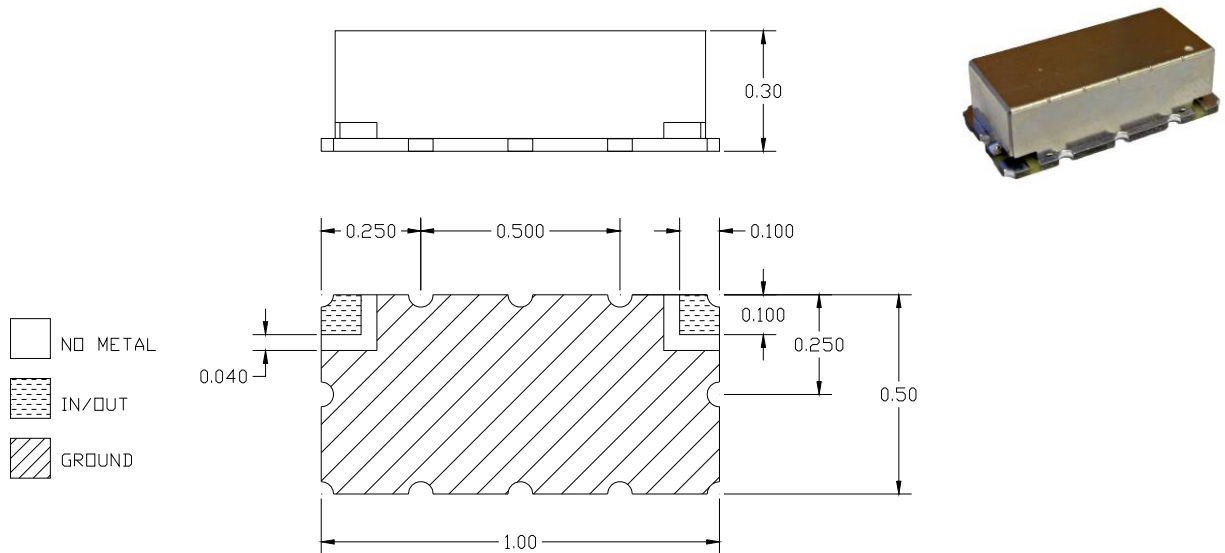
Web www.krfilters.com
Email sales@krfilters.com
Phone (732) 636-1900
Fax (732) 636-1982

KR Electronics 3068

Specifications

Parameter	Specification	
Filter type	Lowpass	
Insertion Loss DC to 250 MHz	1 dB max	0.5 dB typical
Rejection at 300 MHz	20 dB min	35 dB typical
Source and Load	50 Ω	

Physical Dimensions



Notes:

1. Surface mount package
2. Dimensions in inches
3. Max reflow temperature 230° C for 10 sec
4. If boards are cleaned after installation units must be completely dried

KR Electronics, Inc.
91 Avenel Street
Avenel, NJ 07001

Web www.krfilters.com
Email sales@krfilters.com
Phone (732) 636-1900
Fax (732) 636-1982