



Mini UHF Tee Adapter Female-Male-Female

TECHNICAL DATA SHEET

PE9065

Mini UHF Tee Adapter Female-Male-Female

Configuration

Connector 1	Mini UHF Female
Impedance 1	50 Ohms
Connector 2	Mini UHF Male
Impedance 2	50 Ohms
Connector 3	Mini UHF Female
Adapter Design	Standard
Body Style	Tee

Mechanical Specifications

Size

Length, in [mm]	1.275 [32.39]
Width/Dia., in [mm]	0.45 [11.43]
Height, in [mm]	0.917 [23.29]

Connector 1

Type	Mini UHF Female
Inner Conductor Material and Plating	Brass, Gold
Body Material and Plating	Brass, Nickel
Dielectric Type	Teflon

Connector 2

Type	Mini UHF Male
Inner Conductor Material and Plating	Brass, Gold
Coupling Nut Material and Plating	Brass, Nickel
Body Material and Plating	Brass, Nickel
Dielectric Type	Teflon

Connector 3

Type	Mini UHF Female
Inner Conductor Material and Plating	Brass, Gold
Body Material and Plating	Brass, Nickel
Dielectric Type	Teflon

Compliance Certifications (visit www.Pasternack.com for current document)

RoHS Compliant	Yes
----------------	-----

Click the following link (or enter part number in "SEARCH" on website) to obtain additional part information including price, inventory and certifications: [Mini UHF Tee Adapter Female-Male-Female PE9065](#)

The information contained in this document is accurate to the best of our knowledge and representative of the part described herein. It may be necessary to make modifications to the part and/or the documentation of the part, in order to implement improvements. Pasternack reserves the right to make such changes as required. Unless otherwise stated, all specifications are nominal.



Mini UHF Tee Adapter Female-Male-Female

TECHNICAL DATA SHEET

PE9065

Plotted and Other Data

Notes:

Values at 25 °C, sea level

Mini UHF Tee Adapter Female-Male-Female from Pasternack Enterprises has same day shipment for domestic and International orders. Our RF, microwave and fiber optic products maintain a 99% availability and are part of the broadest selection in the industry.

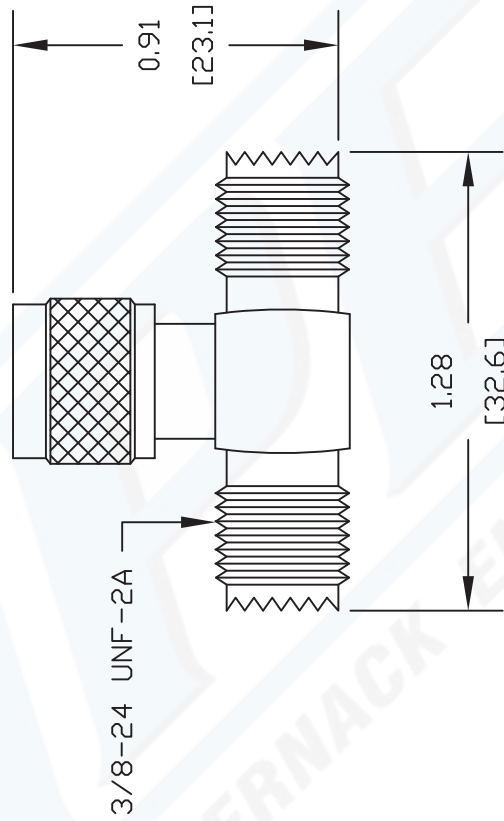
Click the following link (or enter part number in "SEARCH" on website) to obtain additional part information including price, inventory and certifications: [Mini UHF Tee Adapter Female-Male-Female PE9065](http://www.pasternack.com/mini-uhf-female-male-female-tee-adapter-pe9065-p.aspx)

URL: <http://www.pasternack.com/mini-uhf-female-male-female-tee-adapter-pe9065-p.aspx>

The information contained in this document is accurate to the best of our knowledge and representative of the part described herein. It may be necessary to make modifications to the part and/or the documentation of the part, in order to implement improvements. Pasternack reserves the right to make such changes as required. Unless otherwise stated, all specifications are nominal.

PE9065 CAD Drawing

Mini UHF Tee Adapter Female-Male-Female



DWG TITLE

PE9065

NOTES:
 1. UNLESS OTHERWISE SPECIFIED ALL DIMENSIONS ARE NOMINAL.
 2. ALL SPECIFICATIONS ARE SUBJECT TO CHANGE WITHOUT NOTICE AT ANY TIME.
 3. DIMENSIONS ARE IN INCHES [mm].

REV. -

FSCM NO. 53919

CAD FILE 082602

SCALE N/A

SIZE A

127



PASTERNAK®
 Pasternack Enterprises, Inc.
 P.O. Box 16759 | Irvine | CA | 92623
Phone: (949) 261-1920 | **Fax:** (949) 261-7451
Website: www.pasternack.com | **E-Mail:** sales@pasternack.com