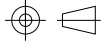
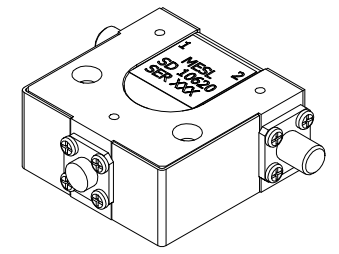
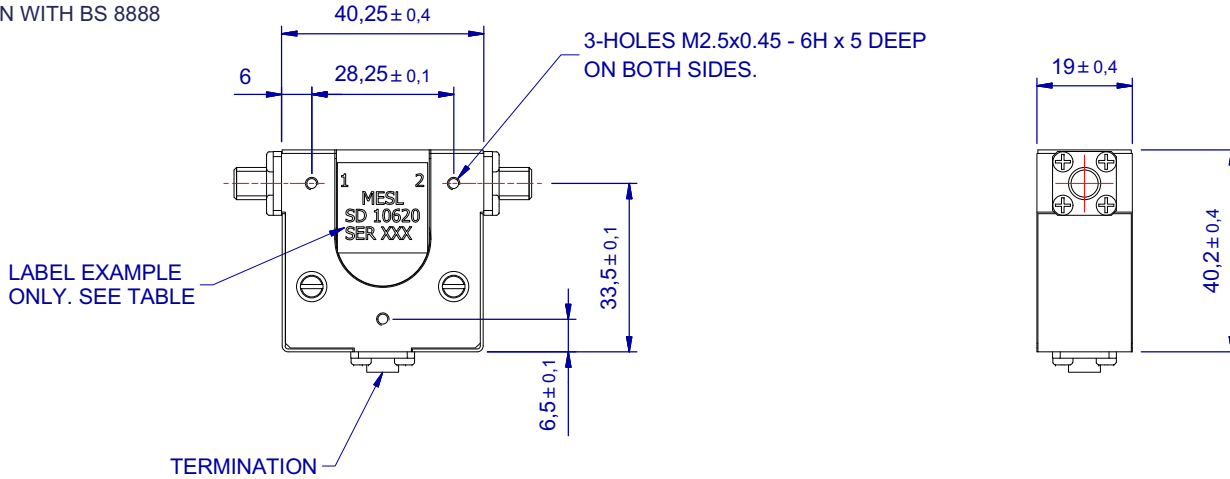


3rd ANGLE PROJECTION



DRAWING TO BE READ IN CONJUNCTION WITH BS 8888



TYPE No.	FREQUENCY (GHz.)	TYPICAL			-10°C to +65°C.		
		INSERTION LOSS (dB Max.)	RETURN LOSS (dB Min.)	ISOLATION (dB Min.)	INSERTION LOSS (dB Max.)	RETURN LOSS (dB Min.)	ISOLATION (dB Min.)
SD 10620	2.0 - 4.0	0.4	20	20	0.5	18	20
SD 10621	2.0 - 2.4	0.3	23	23	0.4	20	20
SD 10622	2.4 - 2.8	0.3	23	23	0.4	20	20

Q.A.  
DATE  
PROD.REL.  
DATE  
ENG.APP.  
DATE

NOTES : THIS UNIT IS RoHS COMPLIANT by DESIGN.  
LIGHTLY REMOVE ALL BURRS AND SHARP EDGES U.O.S.

THIS DRAWING IS MESL Microwave Ltd. PROPERTY.  
IT MAY NOT BE COPIED OR EXHIBITED WITHOUT WRITTEN PERMISSION.

A 3

MECH.ENG. DATE	ORIGINAL SCALE 1:1 DO NOT SCALE PRINT	MATERIAL	SPECIFICATION	GENERAL TOLERANCE U.O.S. (ISO2768-MH) 0 - 6.0 : +0.05 120.0 - 400.0 : +0.2 6.0 - 30.0 : +0.1 400.0 - 1000.0 : +0.3 30.0 - 120.0 : +0.15 1000.0 - 2000.0 : +0.5 Angular Dim : ±0.5° Symmetry ±0.05	RESPONSIBLE AUTHORITY	SECURITY CLASSIFICATION
	DRAWN AB. DATE 17/12/09	MASS (kg): N/A DENSITY (g/cm³): N/A	FINISH BODY / LID & : SURTEC 650 Chomit AL. PLATES.	FINISH TO BE 1.6 / U.O.S. DIMENSION IN mm	TITLE 2-4GHz COAXIAL ISOLATOR OUTLINE TYPE SEE TABLE	CONTRACTORS DRAWING NUMBER 10620 to 10622-000-OL SERVICE DRAWING NUMBER SHEET No. 1 OFF 1

B	01.04.10	DRN VARIOUS
ISSUE	DATE	MOD NUMBER

A  
B  
C  
D  
E