

## General Description

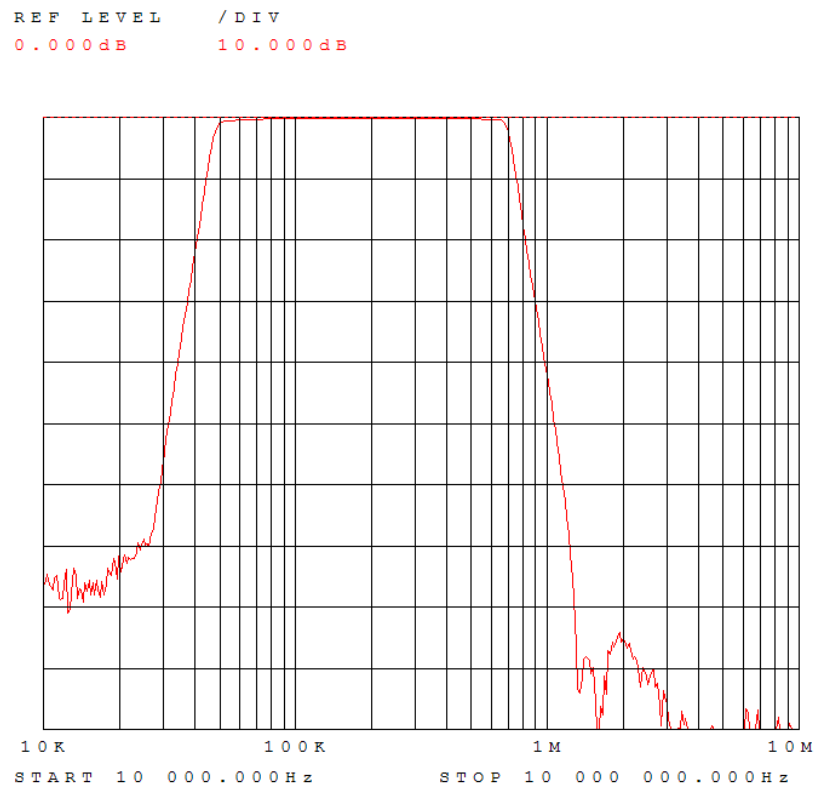
KR Electronics part number 3117 is a 350 KHz bandpass filter. The filter has a min 3 dB bandwidth of 600 KHz. Other center frequencies and bandwidths are available. Please consult the factory.

## Features

- 350 KHz Bandpass Filter
- 600 KHz min 3 dB BW
- 60 dB min Rejection
- Sharp Elliptic Type Response
- 50  $\Omega$  Source and Load
- BNC Connectors

## Typical Performance

### Overall Response (10 dB/div)



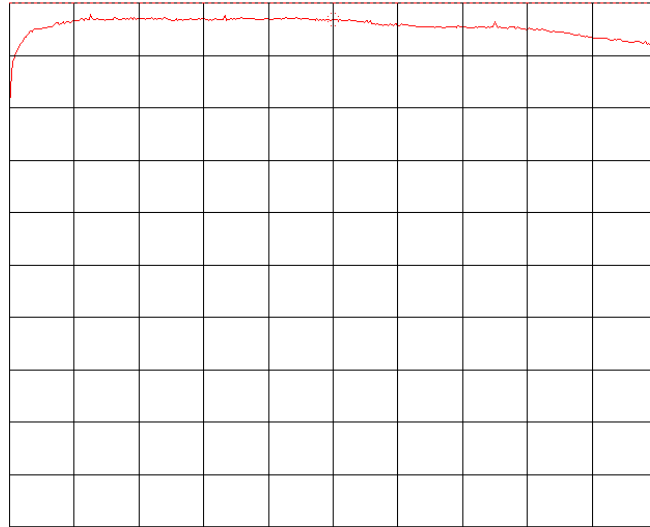
KR Electronics, Inc.  
91 Avenel Street  
Avenel, NJ 07001

Web [www.krfilters.com](http://www.krfilters.com)  
Email [sales@krfilters.com](mailto:sales@krfilters.com)  
Phone (732) 636-1900  
Fax (732) 636-1982

Typical Performance

**Passband Amplitude**  
(0.5 dB/div)

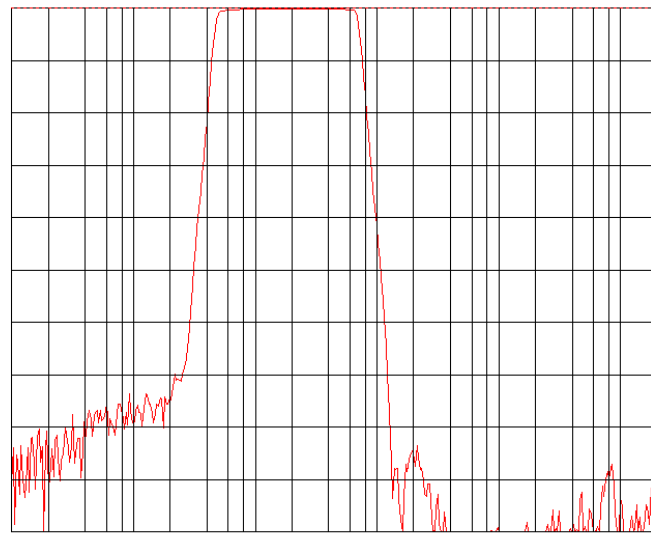
REF LEVEL /DIV MARKER 350 000.000Hz  
0.000dB 0.500dB MAG(UDP) -0.156dB



START 50 000.000Hz STOP 650 000.000Hz  
AMPTD 5.0dBm

**Overall Response**  
(10 dB/div)

REF LEVEL /DIV  
0.000dB 10.000dB



START 1 000.000Hz STOP 200 000 000.000Hz

KR Electronics, Inc.  
91 Avenel Street  
Avenel, NJ 07001

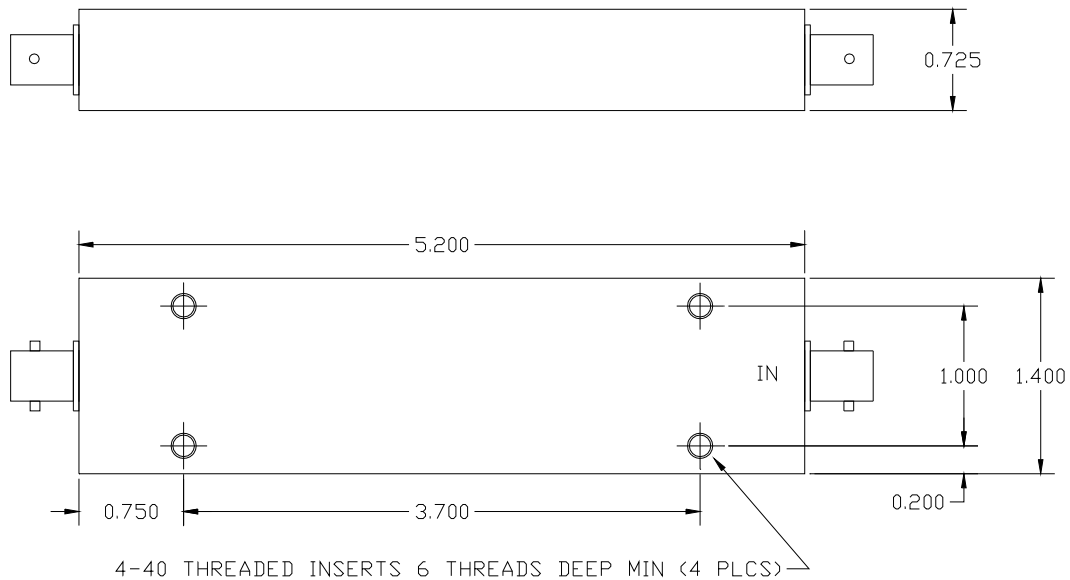
Web www.krfilters.com  
Email sales@krfilters.com  
Phone (732) 636-1900  
Fax (732) 636-1982

# KR Electronics 3117

## Specifications

| Parameter             | Specification | Notes           |
|-----------------------|---------------|-----------------|
| Filter type           | Bandpass      |                 |
| Center Frequency      | 350 KHz       |                 |
| Insertion Loss        | 1 dBa max     | 0.2 dBa typical |
| Rejection at 25 KHz   | 60 dBc min    | 70 dBc typical  |
| Rejection at 50 KHz   | 3 dBc max     | 0.8 dBc typical |
| Rejection at 650 KHz  | 3 dBc max     | 0.3 dBc typical |
| Rejection at 1300 KHz | 60 dBc min    | 80 dBc typical  |
| Source and Load       | 50 Ω          |                 |
|                       |               |                 |
|                       |               |                 |

## Physical Dimensions



**Notes:**

1. Dimensions in inches
2. Rectangular case
3. Input/Output BNC(f) Connectors, filter can be used in either direction

KR Electronics, Inc.  
 91 Avenel Street  
 Avenel, NJ 07001

Web [www.krfilters.com](http://www.krfilters.com)  
 Email [sales@krfilters.com](mailto:sales@krfilters.com)  
 Phone (732) 636-1900  
 (732) 636-1982