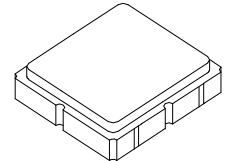


RFM products are now
Murata products.

SF2081D

**1220 MHz
SAW Filter**



SM3838-8

- SAW Filter for Cable System
- Complies with Directive 2002/95/EC (RoHS)



Characteristics :

Balance-to-Balanced Operation

Terminating source impedance : $Z_S = 200 \Omega$

Terminating load impedance : $Z_L = 200 \Omega$

Maximum Rating

Rating	Value	Units
Input Power Level	0	dB _m
DC Voltage	3	V
Operating Temperature	-30 to +85	°C
Storage Temperature in Tape and Reel	-40 to +85	°C

Electrical Characteristics

Characteristic	Sym	Notes	Min	Typ	Max	Units
Center Frequency	f_C			1220		MHz
Insertion Loss, 1195 to 1245 MHz	IL			4.0		dB
Amplitude Ripple, 1195 to 1245 MHz				2.0		dB
Attenuation Referenced to 0 dB						
1) TBD			TBD			dB
2) TBD			TBD			
3) TBD			TBD			
Group delay Ripple						nS _{P-P}

Case Style	SM3030-8 3.0 x 3.0 mm Nominal Footprint					
Lid Symbolization (Y=year, WW=week, S=shift) dot=pin 1 indicator	840, YWWS					
Standard Reel Quantity	Reel Size 7 Inch					1000 Pieces/Reel
	Reel Size 13 Inch					3000 Pieces/Reel



CAUTION: Electrostatic Sensitive Device. Observe precautions for handling.

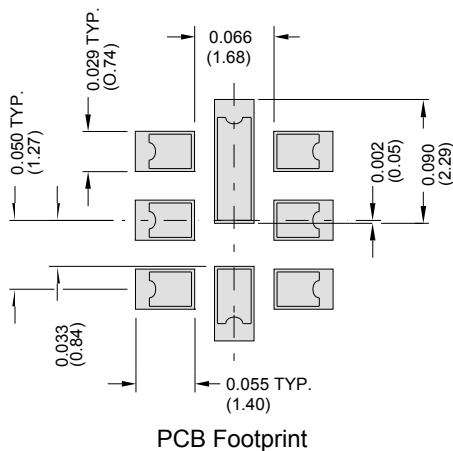
NOTES:

1. US and international patents may apply.
2. Murata, stylized Murata logo, and Murata N.A., Inc. are registered trademarks of Murata Manufacturing Co., Ltd.

SM3838-8 Case

8-Terminal Ceramic Surface-Mount Case

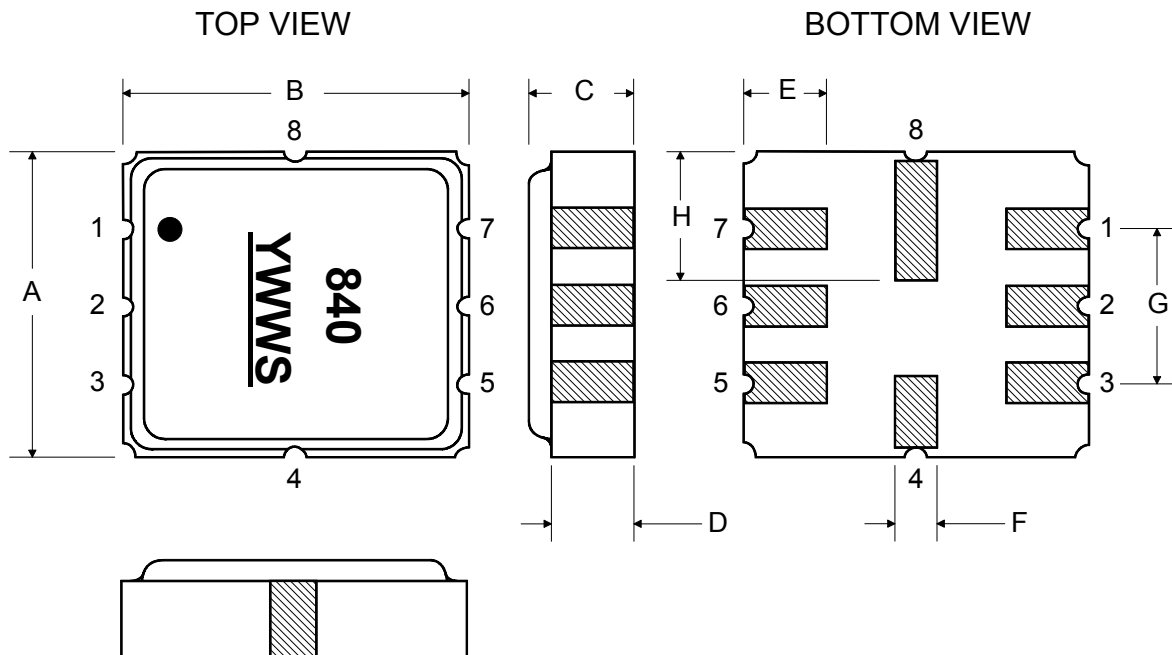
3.8 X 3.8 mm Nominal Footprint

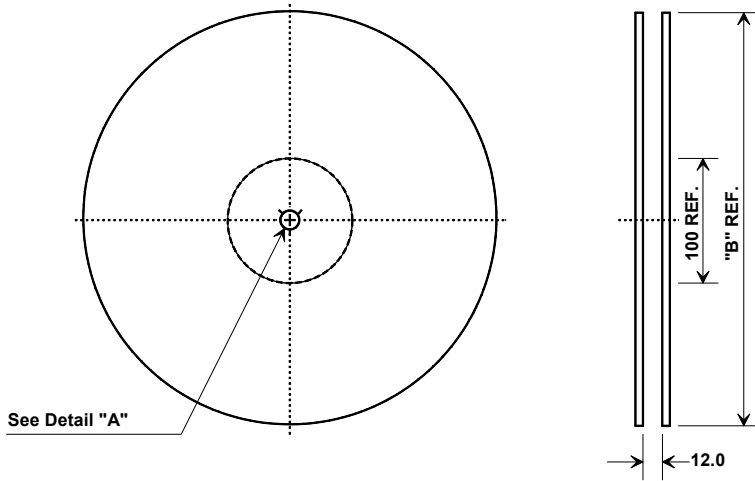


Dimension	Case Dimensions					
	mm			Inches		
	Min	Nom	Max	Min	Nom	Max
A	3.6	3.8	4.0	0.142	0.150	0.157
B	3.6	3.8	4.0	0.142	0.150	0.157
C	1.05	1.20	1.35	0.041	0.047	0.053
D	0.95	1.10	1.25	0.037	0.043	0.049
E	0.90	1.00	1.10	0.035	0.040	0.043
F	0.50	0.60	0.70	0.020	0.024	0.028
G	2.39	2.54	2.69	0.090	0.100	0.110
H	1.40	1.75	2.05	0.055	0.069	0.080

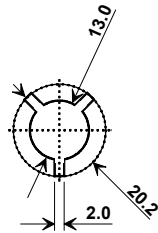
Electrical Connections		
	Connection	Terminals
Port 1	Differential Input	1, 2
Port 2	Differential Output	5, 6
	Ground	All Others
Single-ended Operation		Return is Ground
Differential Operation		Return is Hot
Dot Indicates Pin 1		

Materials	
Solder Pad Plating	0.3 to 1.0 μm Gold over 1.27 to 8.89 μm Nickel
Lid Plating	2.0 to 3.0 μm Nickel
Body	Al_2O_3 Ceramic
Pb Free	





"B"		Quantity Per Reel
Inches	millimeters	
7	178	500
13	330	3000



COMPONENT ORIENTATION and DIMENSIONS

Carrier Tape Dimensions	
Ao	4.25 mm
Bo	4.25 mm
Ko	1.30 mm
Pitch	8.0 mm
W	12.0 mm

