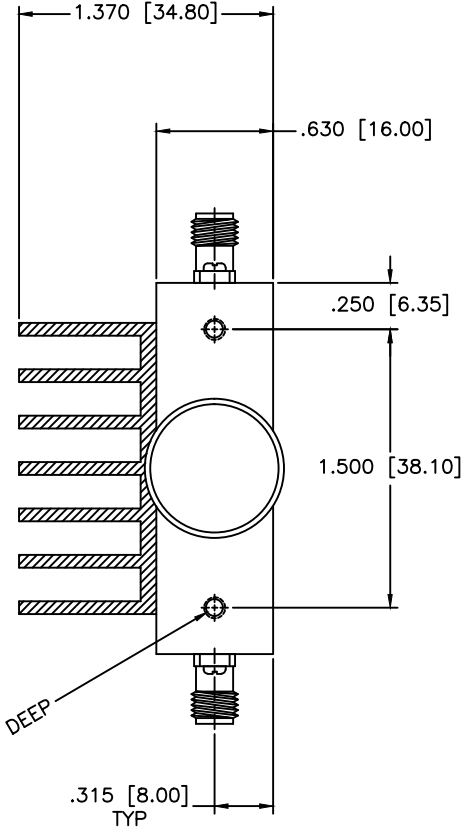
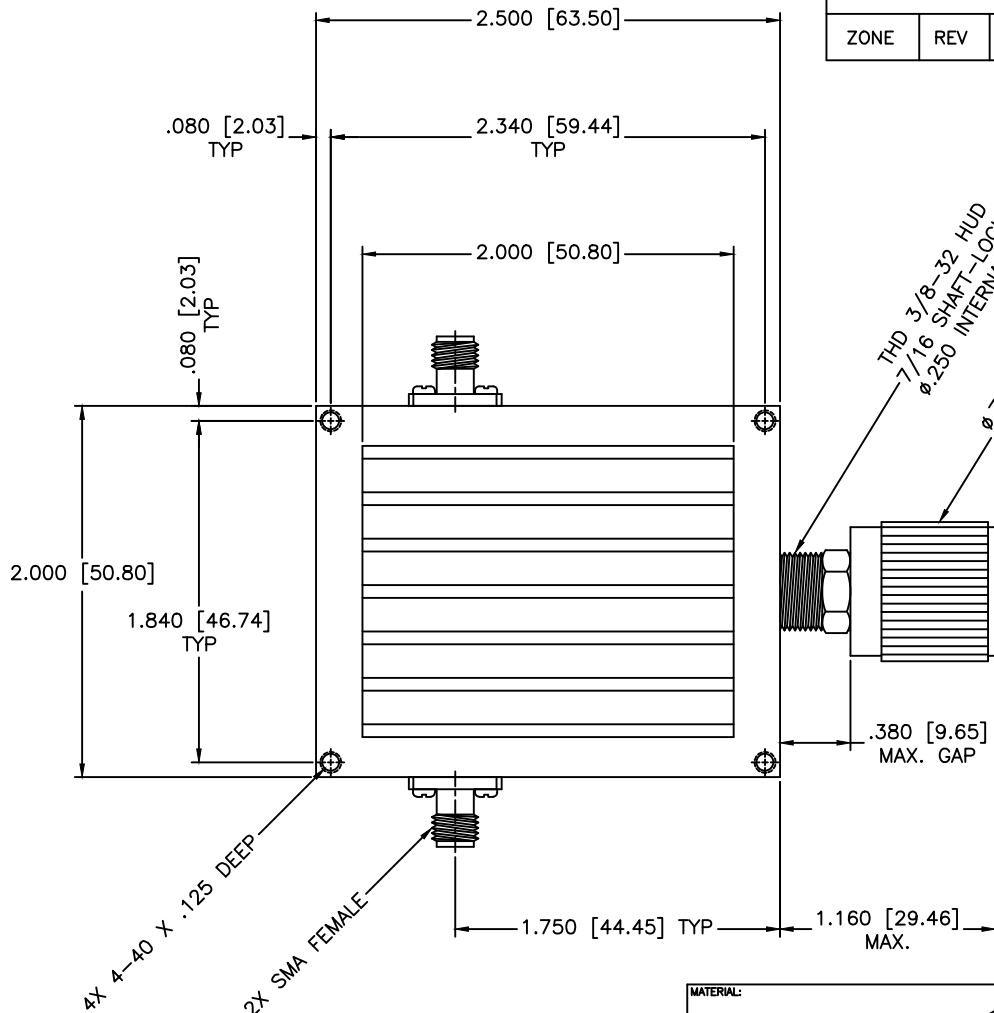


REVISIONS				
ZONE	REV	DESCRIPTION	DATE	APPROVED



SPECIFICATION

Frequency Range: 1-2 GHz
 Attenuation: 10dB
 Insertion Loss: 0.5 Max.
 VSWR: 1.50:1 Max.
 RF Power: 50W Avg. & 5kW Peak

MATERIAL:	
DRAWN: Paiboon Luekhamhan	DATE: 02-10-2011
APPROVED: T. Nguyen	DATE: 02-10-2011

MCLI MICROWAVE COMMUNICATIONS LABORATORIES INC.
 7255 30TH AVE. N. SAINT PETERSBURG, FL 33710
 TEL: (727) 344-6254 FAX: (727) 381-6116
 http://WWW.MCLI.COM

UNLESS OTHERWISE SPECIFIED: TOLERANCES IN (INCHES) OR [mm] (MILLIMETERS) FRACTIONS: ± 1/64 DECIMALS: ±.015 ANGLE: ±1/2°	DRAWING TITLE: CONTINUOUSLY VARIABLE ATTENUATOR, HIGH POWER	SCALE: N/A
PROPRIETARY NOTICE: THE INFORMATION IN THIS DRAWING IS PROPRIETARY AND SHALL NOT BE USED OR DISCLOSED WITHOUT WRITTEN PERMISSION FROM MICROWAVE COMMUNICATIONS LABORATORIES INC. (MCLI)	PART NO. HA50-4-10	SHEET: N/A
THIRD ANGLE PROJECTION	CAGE CODE: OD2L5	SIZE: A
	DO NOT SCALE THE DRAWING	REV: N/A
		DWG NO. 85493