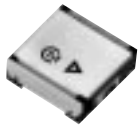
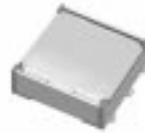
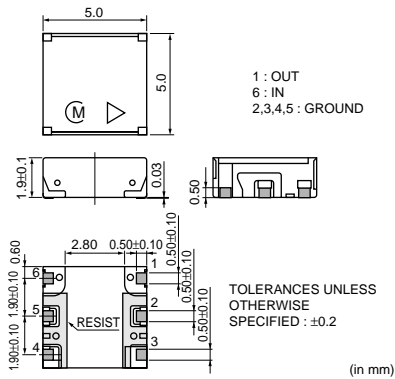


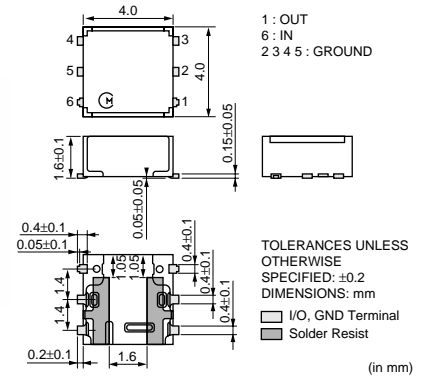
Isolators



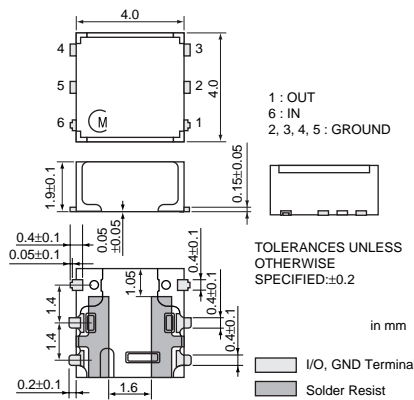
CE053 Series



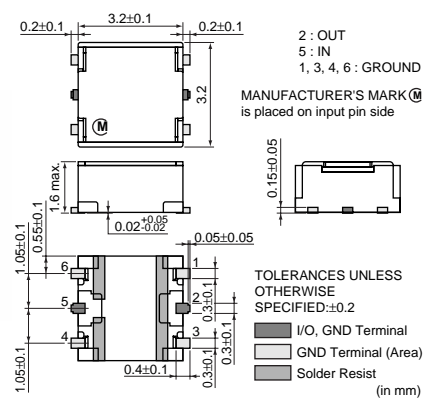
CE041 Series



CE040 Series



CES30 Series



Microwave Components

8

Part Number	Fo (MHz)	IL at BW (max.) (dB)	Isolation (min.) (dB)	Rating Power (max.) (W)
CE053836MDCB002	836.5	0.65	13	2.5
CES40836MDCB000	836.5	0.75	10.5	2.5
CE053906MDCB003	906	0.65	11	2.5
CES40906MDCB000	906	0.78	10	2.5
CE0401G44CCB101	1441	0.43	12	2.5
CE0411G44CCB000	1441	0.55	12	2.5
CES301G44CCB000	1441	0.64	12.5	2.5
CES301G45CCB000	1453.5	0.64	12	2.5
CE0401G74DCB000	1747.5	0.7	13	2.5
CE0401G76CCB000	1765	0.6	15	2.5
CE0401G88DCB101	1880	0.47	14	2.5
CE0411G88DCB000	1880	0.65	13.5	2.5
CE0411G88DCB501	1880	0.5	13	2.5
CES301G88DCB000	1880	0.64	13	2.5
CE0401G95DCB101	1950	0.45	14	2.5
CE0411G95DCB000	1950	0.6	13	2.5
CE0411G95DCB501	1950	0.5	13	2.5
CES301G95DCB000	1950	0.6	13	2.5

△Note • This catalog has only typical specifications because there is no space for detailed specifications. Therefore, please approve our product specifications or transact the approval sheet for product specifications before ordering. Especially, please read rating and △CAUTION (for storage, operating, rating, soldering, mounting and handling) in them to prevent smoking and/or burning, etc.
• You are able to read a detailed specifications in the website (<http://search.murata.co.jp/>) before to require our product specifications or to transact the approval sheet for product specifications.