



50 Ohm BNC Male to 75 Ohm RCA Jack Adapter

TECHNICAL DATA SHEET

PE9171

50 Ohm BNC Male to 75 Ohm RCA Jack Adapter

Configuration

Connector 1	BNC Male
Impedance 1	50 Ohms
Connector 2	RCA Jack
Impedance 2	75 Ohms
Adapter Design	Standard
Body Style	Straight

Mechanical Specifications

Size

Length, in [mm]	1.105 [28.07]
Width/Dia., in [mm]	0.57 [14.48]

Connector 1

Type	BNC Male
Inner Conductor Material and Plating	Brass, Gold
Coupling Nut Material and Plating	Brass, Nickel
Body Material and Plating	Brass, Nickel
Dielectric Type	Delrin

Connector 2

Type	RCA Jack
Inner Conductor Material and Plating	Brass, Gold
Body Material and Plating	Brass, Nickel
Dielectric Type	Delrin

Compliance Certifications (visit www.Pasternack.com for current document)

RoHS Compliant	Yes
----------------	-----

Plotted and Other Data

Notes:	Values at 25 °C, sea level
--------	----------------------------

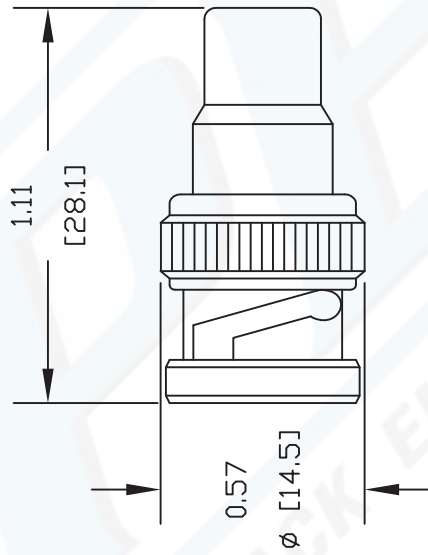
URL: <http://www.pasternack.com/rca-jack-bnc-male-straight-adapter-pe9171-p.aspx>

50 Ohm BNC Male to 75 Ohm RCA Jack Adapter from Pasternack Enterprises has same day shipment for domestic and International orders. Our RF, microwave and fiber optic products maintain a 99% availability and are part of the broadest selection in the industry.

The information contained in this document is accurate to the best of our knowledge and representative of the part described herein. It may be necessary to make modifications to the part and/or the documentation of the part, in order to implement improvements. Pasternack reserves the right to make such changes as required. Unless otherwise stated, all specifications are nominal.

PE9171 CAD Drawing

50 Ohm BNC Male to 75 Ohm RCA Jack Adapter



DWG TITLE

PE9171

NOTES:
1. UNLESS OTHERWISE SPECIFIED ALL DIMENSIONS ARE NOMINAL.
2. ALL SPECIFICATIONS ARE SUBJECT TO CHANGE WITHOUT NOTICE AT ANY TIME.
3. DIMENSIONS ARE IN INCHES [mm].

REV. -

FSCM NO. 53919

CAD FILE 082802

SCALE N/A

SIZE A

127



Pasternack Enterprises, Inc.
P.O. Box 16759 | Irvine | CA | 92623
Phone: (949) 261-1920 | Fax: (949) 261-7451
Website: www.pasternack.com | E-Mail: sales@pasternack.com