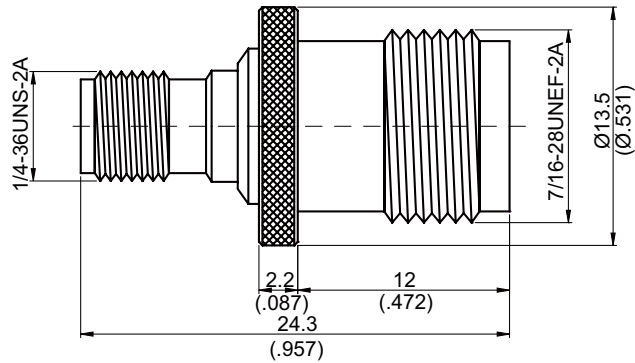


AD-A8T9

SMA Jack To TNC Reverse Polarity Jack 50Ω



Typical VSWR

Part Number	1 GHz	2 GHz	3 GHz	4~6 GHz
AD-A8T9	1.04	1.09	1.12	1.17

Parts	Material	Plating (Micro-inch)
Ferrule	Brass	Tin-Zinc-Copper-Alloy 100 Over Copper 50
Contact Pin	Beryllium Copper	Gold 10 Over Nickel 50 Over Copper 50
Insulator	Teflon	
Body (TNC)	Brass	Tin-Zinc-Copper-Alloy 100 Over Copper 50
Body (SMA)	Brass	Gold 5 Over Nickel 50 Over Copper 50

Weight: 7.61 g

This part number complies with RoHS.

Notice: JYEBAO reserves the right to make modifications deemed appropriate.