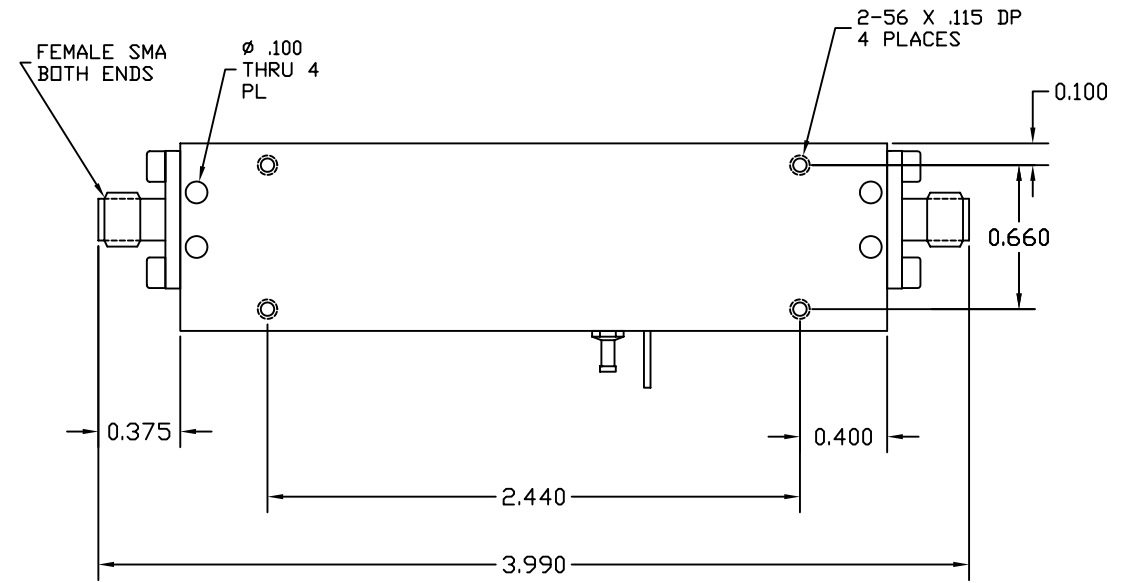
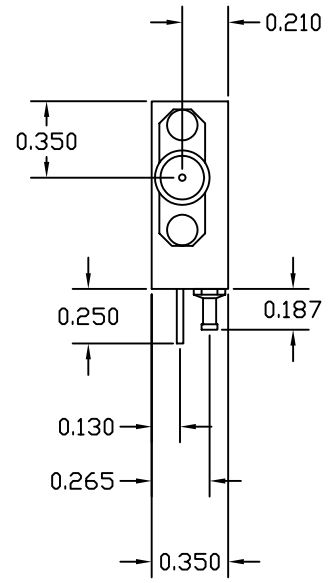
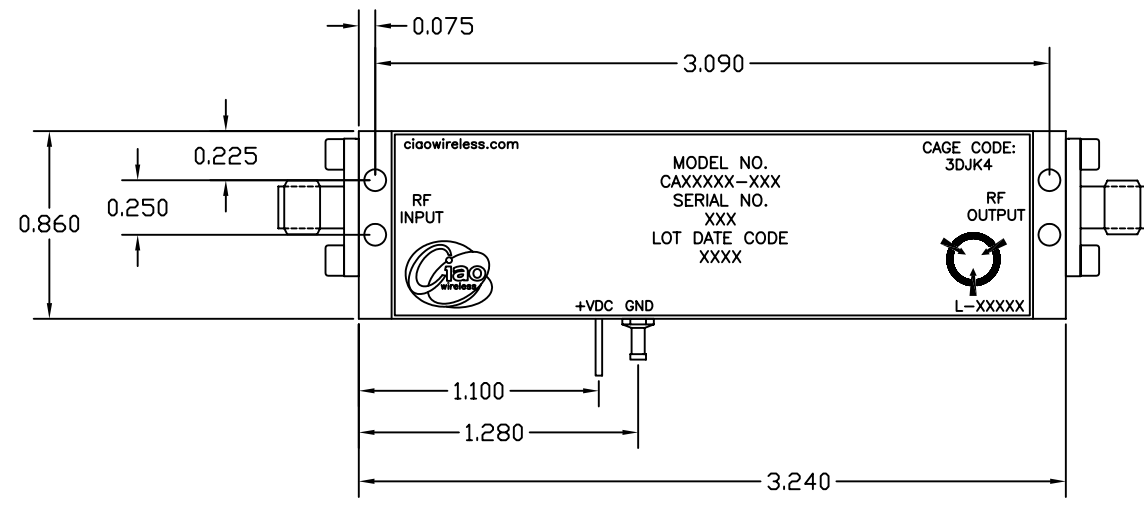



| REVISIONS | | | | | |
|-----------|-----|-------------|------|------|----------|
| ZONE | REV | DESCRIPTION | ECO# | DATE | APPROVED |
| | A | RELEASED | | | |



| ITEM NO. | QTY REQD | PART OR IDENTIFYING NO. | NOMENCLATURE OR DESCRIPTION | MATERIAL SPECIFICATION |
|------------|----------|-------------------------|-----------------------------|------------------------|
| PARTS LIST | | | | |

| | | | | |
|---|--|--------------------------|--|---|
| UNLESS OTHERWISE SPECIFIED: DIMENSIONS ARE IN INCHES. TOLERANCES ARE: FRACTIONS DECIMALS HOLES ANGLES ± 1/64 .XX ±.01 .XX ±.01 ± 0°30' .XXX ±.010 .XXX ±.010 | | CONTRACT NO. | |  <p>CIAO WIRELESS 4000 VIA PESCADOR CAMARILLO CA, 93012</p> |
| MACHINED FINISH: 32 RMS REMOVE BURRS .005 MAX | | APPROVALS DATE | | |
| MATERIAL ALUMINUM 6061-T6 | | DRAWN J. LACBAIN 3/15/04 | | |
| FINISH ELECTROLESS NICKEL PER MIL-C-26074 CLASS 4 GRADE B .0005 ± .0001 MAX | | CHECKED | | |
| NEXT ASSY | | USED ON | | MECHANICAL ENGR |
| APPLICATION | | DO NOT SCALE DRAWING | | ELECTRICAL ENGR |
| | | | | PRODUCT ASSURANCE |
| | | | | PLANNING |
| | | | | MANUFACTURING |
| | | SCALE 1/1 | | SIZE CAGE CODE DWG. NO. REV. B 3DJK4 30026 A |
| | | SHEET 1 OF 1 | | |

30026

DWG NO. 30026