



Bulkhead 7/16 DIN Female to 4.1/9.5 Mini  
DIN Female Adapter IP67 Mated

TECHNICAL DATA SHEET

PE91210

**Configuration**

Connector 1	7/16 DIN Female
Impedance 1	50 Ohms
Connector 2	4.1/9.5 Mini DIN Female
Impedance 2	50 Ohms
Adapter Design	Standard
Body Style	Straight
Mount Method	Bulkhead

**Electrical Specifications**

Frequency Range	DC to 6 GHz
Maximum VSWR	1.25:1

**Frequency 1**

Frequency, GHz	DC to 3
VSWR	1.1:1
Return Loss, dB	26.4

**Frequency 2**

Frequency, GHz	3 to 4
VSWR	1.15:1
Return Loss, dB	23.13

**Mechanical Specifications**

**Size**

Length, in [mm]	1.872 [47.55]
-----------------	---------------

**Connector 1**

Type	7/16 DIN Female
Inner Conductor Material and Plating	Beryllium Copper, Silver
Body Material and Plating	Brass, Tri-Metal
Dielectric Type	PTFE

**Connector 2**

Type	4.1/9.5 Mini DIN Female
Inner Conductor Material and Plating	Beryllium Copper, Silver
Body Material and Plating	Brass, Tri-Metal
Dielectric Type	PTFE

**Environmental Specifications**

**Temperature**

Operating Range	-55 to +120 deg C
-----------------	-------------------

Ingress Protection	IP67 Mated
--------------------	------------

Click the following link (or enter part number in "SEARCH" on website) to obtain additional part information including price, inventory and certifications: [Bulkhead 7/16 DIN Female to 4.1/9.5 Mini DIN Female Adapter IP67 Mated PE91210](#)



Bulkhead 7/16 DIN Female to 4.1/9.5 Mini  
DIN Female Adapter IP67 Mated

TECHNICAL DATA SHEET

PE91210

**Compliance Certifications** (visit [www.Pasternack.com](http://www.Pasternack.com) for current document)  
RoHS Compliant

**Plotted and Other Data**

Notes:

- Values at +25 °C, sea level

Bulkhead 7/16 DIN Female to 4.1/9.5 Mini DIN Female Adapter IP67 Mated from Pasternack Enterprises has same day shipment for domestic and International orders. Our RF, microwave and millimeter wave products maintain a 99% availability and are part of the broadest selection in the industry.

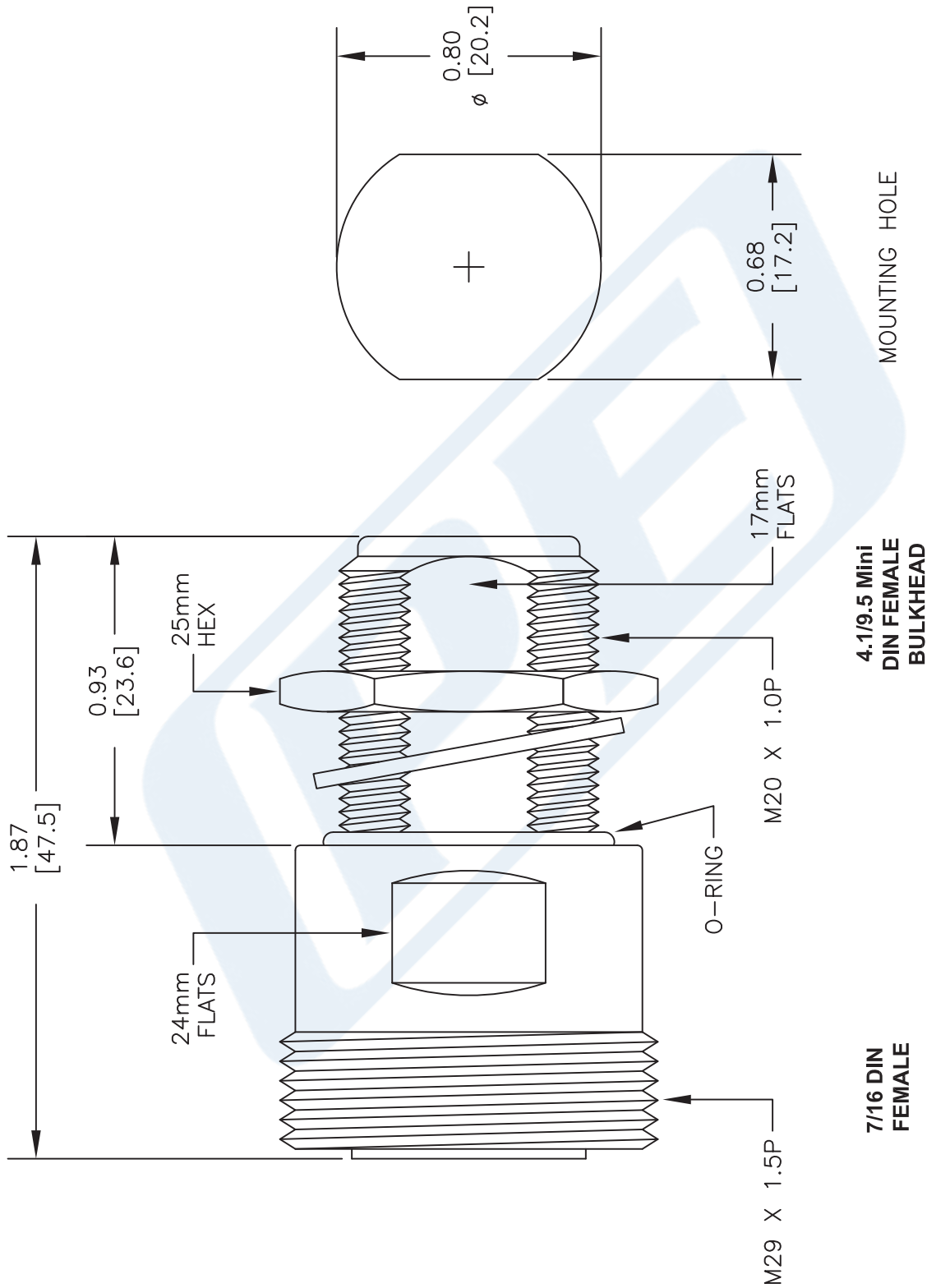
Click the following link (or enter part number in "SEARCH" on website) to obtain additional part information including price, inventory and certifications: [Bulkhead 7/16 DIN Female to 4.1/9.5 Mini DIN Female Adapter IP67 Mated PE91210](#)

URL: <http://www.pasternack.com/7-16-female-4.1-9.5-mini-din-female-straight-adapter-pe91210-p.aspx>

The information contained in this document is accurate to the best of our knowledge and representative of the part described herein. It may be necessary to make modifications to the part and/or the documentation of the part, in order to implement improvements. Pasternack reserves the right to make such changes as required. Unless otherwise stated, all specifications are nominal. Pasternack does not make any representation or warranty regarding the suitability of the part described herein for any particular purpose, and Pasternack does not assume any liability arising out of the use of any part or documentation.

# PE91210 CAD Drawing

Bulkhead 7/16 DIN Female to 4.1/9.5 Mini DIN Female Adapter IP67 Mated



DWG TITLE

**PE91210**

NOTES:  
 1. UNLESS OTHERWISE SPECIFIED ALL DIMENSIONS ARE NOMINAL.  
 2. ALL SPECIFICATIONS ARE SUBJECT TO CHANGE WITHOUT NOTICE AT ANY TIME.  
 3. DIMENSIONS ARE IN INCHES [mm].

FSCM NO. 53919

CAD FILE 061814

SCALE N/A

SIZE A

2233



Pasternack Enterprises, Inc.  
 P.O. Box 16759 | Irvine | CA | 92623  
 Phone: (949) 261-1920 | Fax: (949) 261-7451  
 Website: www.pasternack.com | E-Mail: sales@pasternack.com