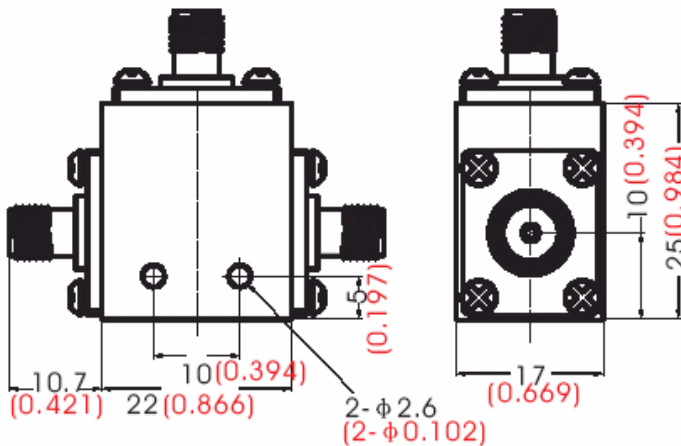


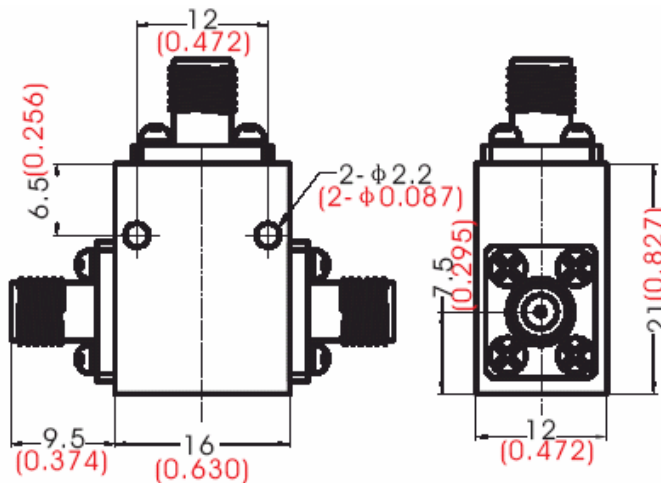


RFLC-402					
Part Number	Frequency (GHz)	Bandwidth (MHz)	Insert. Loss (dB)	Isolation (dB)	VSWR
RFLC-402-1	3.0~8.0	400	0.3	23	1.15
RFLC-402-2	3.0~8.0	800	0.4	21	1.20
RFLC-402-3	3.0~8.0	2000	0.5	19	1.25
RFLC-402-4	4.0~8.0	Full	0.5	17	1.35



Connector Type: L16/N/SMA/W1
 Operating Temperature: -40~+70°C
 Forward Power: 10W (CW)
 High power unit available upon request

RFLC-403					
Part Number	Frequency (GHz)	Bandwidth (MHz)	Insert. Loss (dB)	Isolation (dB)	VSWR
RFLC-403-1	3.7~6.5	300	0.25	23	1.15
RFLC-403-2	3.7~6.5	600	0.3	21	1.20



Connector Type: SMA/W3
 Operating Temperature: -40~+70°C
 Forward Power: 10W (CW)
 High power unit available upon request



RFLC-407					
Part Number	Frequency (GHz)	Bandwidth (MHz)	Insert. Loss (dB)	Isolation (dB)	VSWR
RFLC-407-1	4.0~8.0	300	0.6	50	1.15
RFLC-407-2	4.0~8.0	600	0.8	45	1.20
RFLC-407-3	4.0~8.0	2000	0.8	40	1.25

Connector Type: L16/N/SMA
 Operating Temperature: -40~+85°C
 Forward Power: 10W (CW)
 High power unit available upon request

