



Bulkhead 4.1/9.5 Mini DIN Female to N
Female Adapter IP67 Mated

RF Adapters Technical Data Sheet

PE91220

Configuration

- 4.1/9.5 Mini DIN Female Connector 1
- N Female Connector 2
- 50 Ohms
- Straight Body Geometry
- Bulkhead Mount Method

Electrical Specifications

Description	Minimum	Typical	Maximum	Units
Frequency Range	DC		6	GHz
VSWR			1.25:1	
Return Loss			19.1	dB

Performance by Frequency

Description	F1	F2	F3	F4	F5	Units
Frequency Range	DC to 3	3 to 4				GHz
VSWR, Max	1.1:1	1.15:1				
Return Loss, Max	26.4	23.13				dB

Mechanical Specifications

Size

Length 1.756 in [44.6 mm]
Weight 0.269 lbs [122.02 g]

Description	Connector 1	Connector 2
Type	4.1/9.5 Mini DIN Female	N Female
Polarity	Standard	Standard

Material Specifications

Description	Connector 1		Connector 2	
	Material	Plating	Material	Plating
Type	4.1/9.5 Mini DIN Female		N Female	
Contact	Beryllium Copper	Silver	Beryllium Copper	Silver
Insulation	PTFE		PTFE	

Click the following link (or enter part number in "SEARCH" on website) to obtain additional part information including price, inventory and certifications: [Bulkhead 4.1/9.5 Mini DIN Female to N Female Adapter IP67 Mated PE91220](#)





Bulkhead 4.1/9.5 Mini DIN Female to N
Female Adapter IP67 Mated

RF Adapters Technical Data Sheet

PE91220

Body Brass Tri-Metal Brass Tri-Metal

Environmental Specifications

Temperature

Operating Range -55 to +120 deg C

Humidity

IP67 Mated

Compliance Certifications (visit www.Pasternack.com for current document)

RoHS Compliant

REACH Compliant 12/17/2014

Plotted and Other Data

Notes:

Bulkhead 4.1/9.5 Mini DIN Female to N Female Adapter IP67 Mated from Pasternack Enterprises has same day shipment for domestic and International orders. Our RF, microwave and millimeter wave products maintain a 99% availability and are part of the broadest selection in the industry.

Click the following link (or enter part number in "SEARCH" on website) to obtain additional part information including price, inventory and certifications: [Bulkhead 4.1/9.5 Mini DIN Female to N Female Adapter IP67 Mated PE91220](http://www.pasternack.com/4.1-9.5-mini-din-female-n-female-straight-adapter-pe91220-p.aspx)

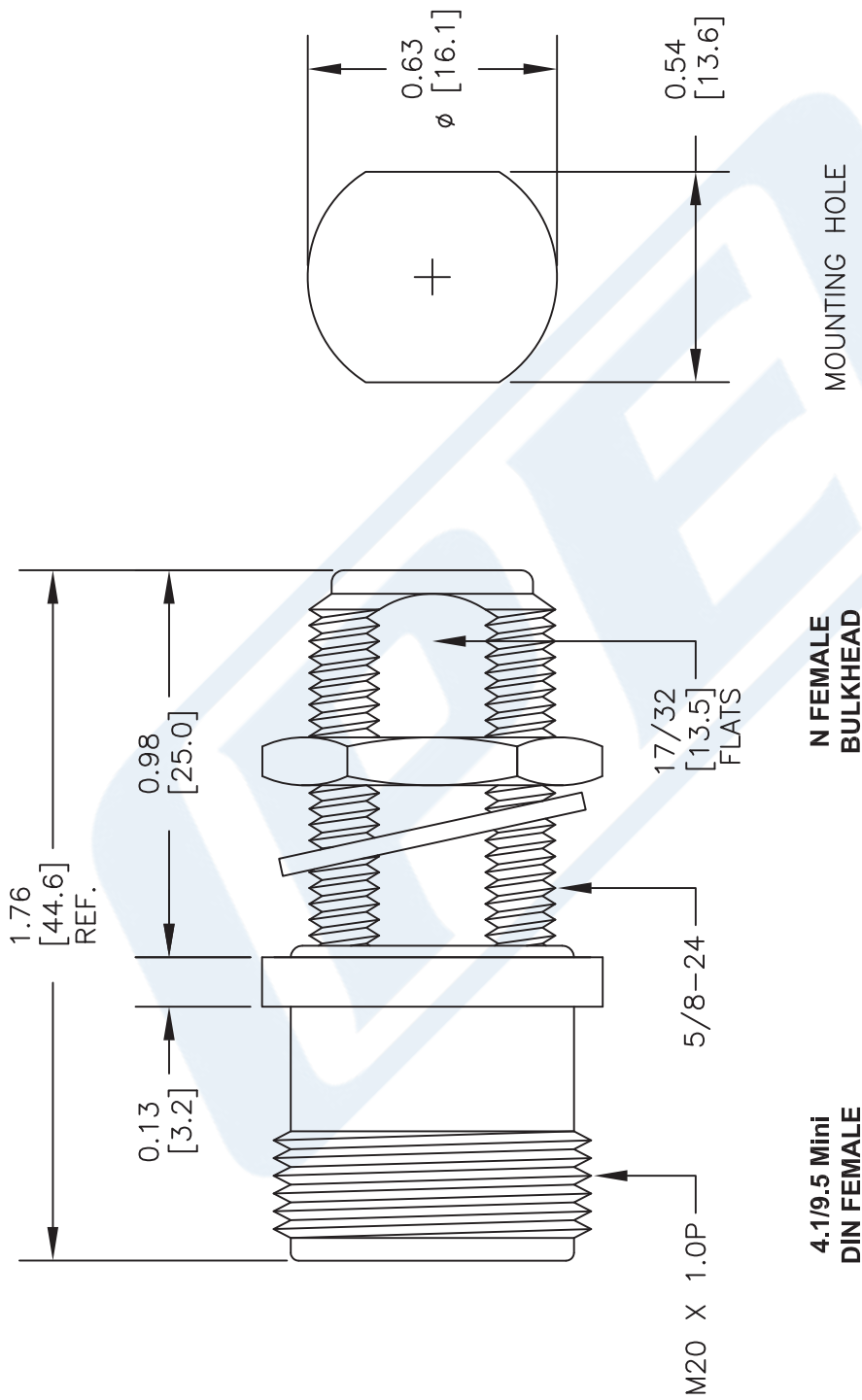
URL: <http://www.pasternack.com/4.1-9.5-mini-din-female-n-female-straight-adapter-pe91220-p.aspx>

The information contained in this document is accurate to the best of our knowledge and representative of the part described herein. It may be necessary to make modifications to the part and/or the documentation of the part, in order to implement improvements. Pasternack reserves the right to make such changes as required. Unless otherwise stated, all specifications are nominal. Pasternack does not make any representation or warranty regarding the suitability of the part described herein for any particular purpose, and Pasternack does not assume any liability arising out of the use of any part or documentation.



PE91220 CAD Drawing

Bulkhead 4.1/9.5 Mini DIN Female to N Female Adapter IP67 Mated



DWG TITLE

PE91220

NOTES:
 1. UNLESS OTHERWISE SPECIFIED ALL DIMENSIONS ARE NOMINAL.
 2. ALL SPECIFICATIONS ARE SUBJECT TO CHANGE WITHOUT NOTICE AT ANY TIME.
 3. DIMENSIONS ARE IN INCHES [mm].

FSCM NO. 53919

CAD FILE 061714

SCALE N/A

SIZE A

2233



THE ENGINEER'S RF SOURCE
 Pasternack Enterprises, Inc.
 P.O. Box 16759 | Irvine | CA | 92623

Phone: (949) 261-1920 | Fax: (949) 261-7451

Website: www.pasternack.com | E-Mail: sales@pasternack.com