



EUROPEAN ANTENNAS

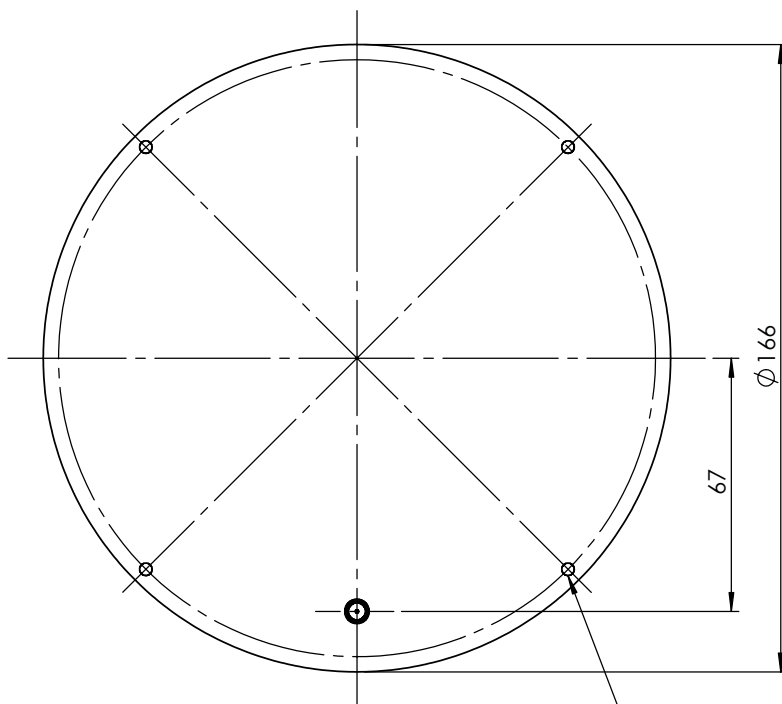
Excellence through design
Creative in concept

LOW PROFILE ANTENNA

MODEL: LPA7-1150R/877

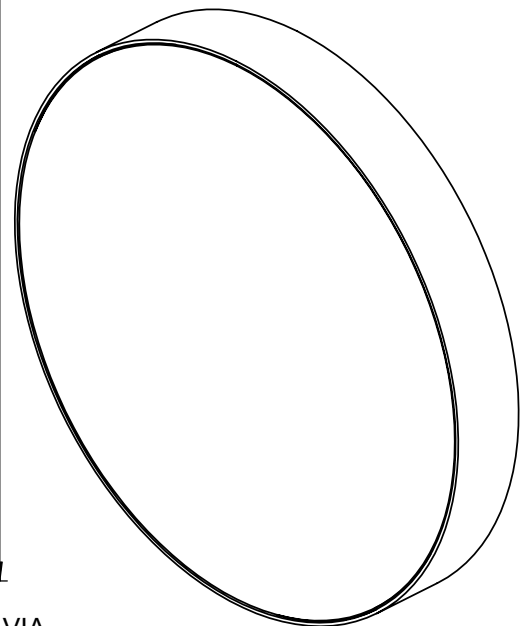
FREQUENCY:	1.10 - 1.20 GHz	GAIN:	7.4 dBiC Typ
POLARISATION:	R.H.Circular	BEAMWIDTH:	70° (Az) x 70° (El) Approx
AXIAL RATIO:	<3 dB	VSWR:	1.5:1
POWER RATING:	10 W	FRONT TO BACK:	>20 dB
TEMPERATURE:	-20°C to +50°C	MASS:	0.47 Kg / 1.0 lbs
FINISH:	Matt Black	WIND LOADING:	3.51 Kg / 7.7 lbs @ 100 mph

REAR VIEW



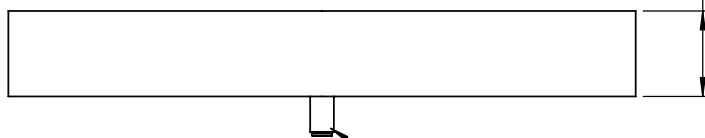
MOUNTING VIA
4 OFF M4 x 8 158.0 PCD

22.60



ISOMETRIC VIEW

END VIEW



SMA(F) CONNECTOR

DIMENSIONS: mm (inches)

GA: 0877-1 Issued:031201

EUROPEAN ANTENNAS LTD.

LAMBDA HOUSE, CHEVELEY
NEWMARKET, SUFFOLK, CB8 9RG,
UNITED KINGDOM

Tel: +44 (0)1638 731888
Fax: +44 (0)1638 731999

E-Mail: sales@european-antennas.co.uk
Website: www.european-antennas.co.uk