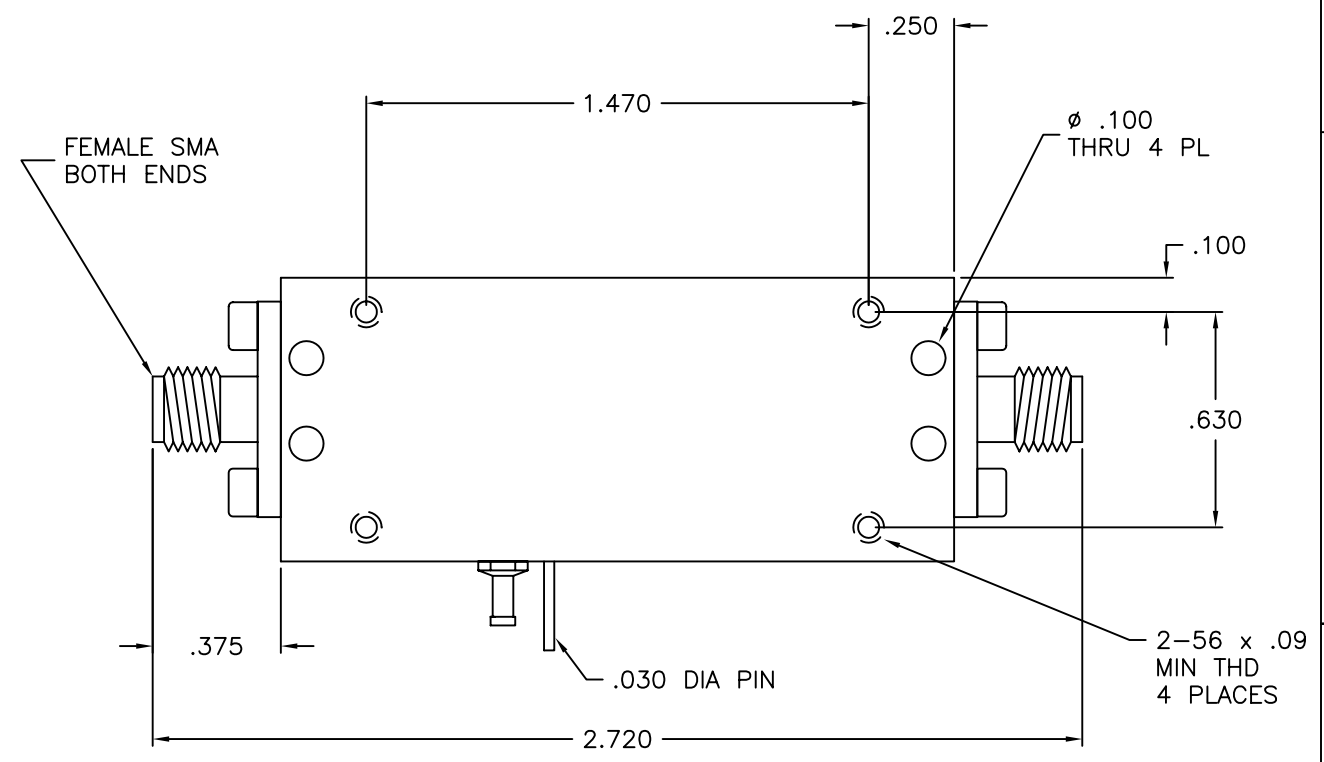
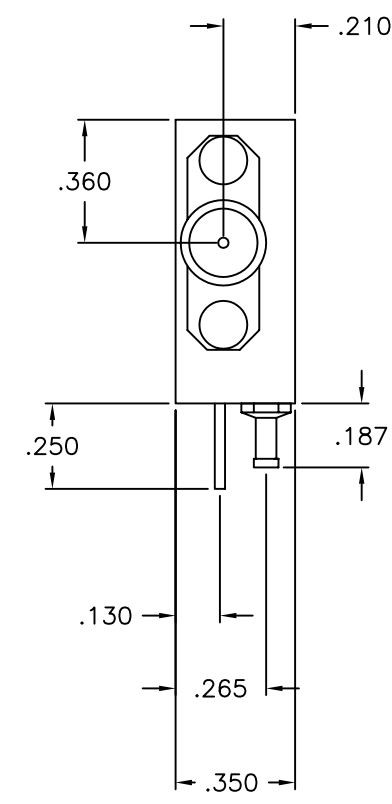
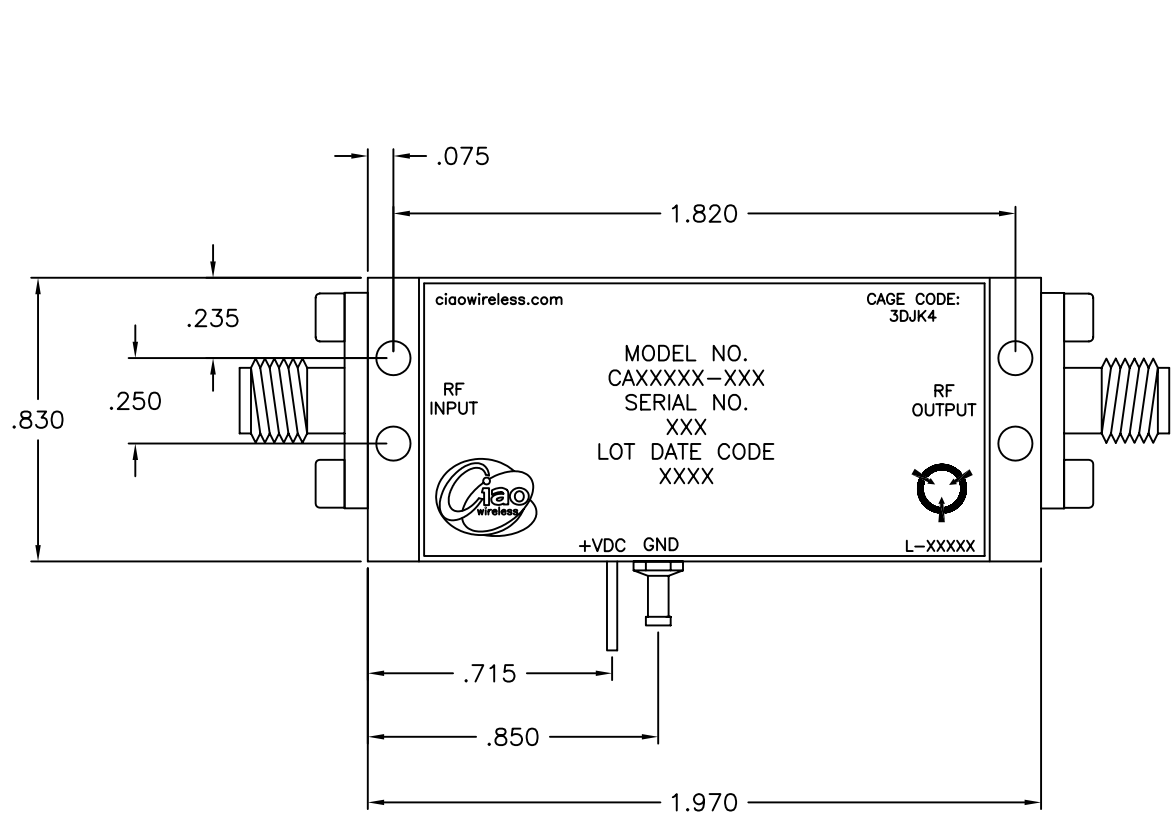


REVISIONS					
ZONE	REV	DESCRIPTION	ECO#	DATE	APPROVED
	A	RELEASED		4/12/04	J.H



ITEM NO.	QTY REQD	PART OR IDENTIFYING NO.	NOMENCLATURE OR DESCRIPTION	MATERIAL SPECIFICATION
PARTS LIST				
UNLESS OTHERWISE SPECIFIED: DIMENSIONS ARE IN INCHES. TOLERANCES ARE: FRACTIONS DECIMALS HOLES ANGLES ± 1/64 .XX ±.03 .XX ±.03 ± 0°30'			CONTRACT NO.	
MACHINED FINISH: 32 RMS REMOVE BURRS .005 MAX			APPROVALS DATE	
MATERIAL ALUMINUM 6061-T6			DRAWN J. LACBAIN 4/8/04	
FINISH ELECTROLESS NICKEL PER MIL-C-26074 CLASS 4 GRADE B .0005 ± .0001 MAX			CHECKED W. QUINONES 4/9/04 MECHANICAL ENGR	
NEXT ASSY USED ON			ELECTRICAL ENGR	
APPLICATION DO NOT SCALE DRAWING			PRODUCT ASSURANCE G. TUFTS 4/9/04	
			PLANNING J. HARRISON 4/12/04	
			MANUFACTURING G. WASYLEWSKI 4/12/04	
			SIZE B	CAGE CODE 3DJK4
			DWG. NO. 30043	
			REV. A	
			SCALE 1/1	SHEET 1 OF 1



CIAO WIRELESS
4000 VIA PESCADOR
CAMARILLO CA, 93012

Q6 ICD AMPLIFIER

30043

DWG NO. 30043 REV. A 1/27