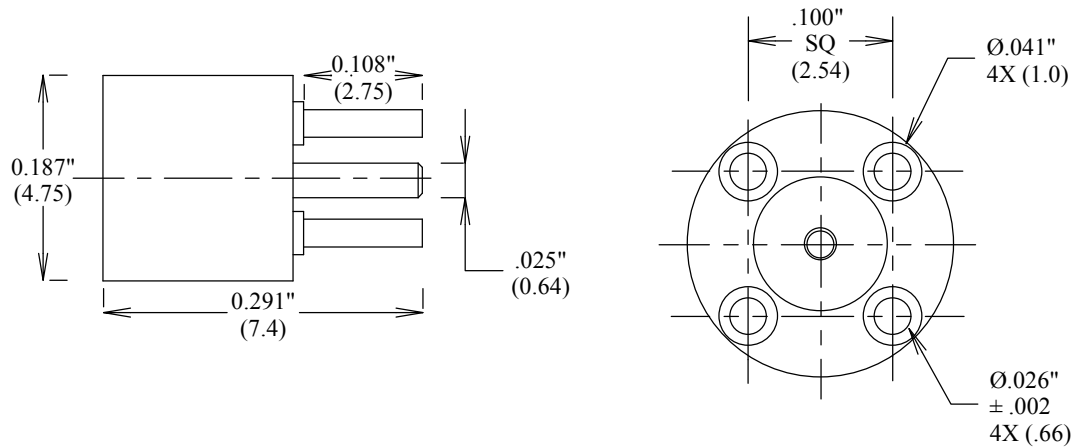


# SMP-MALE PCB LIMITED DETENTE

SC5334



## SPECIFICATIONS

### ELECTRICAL:

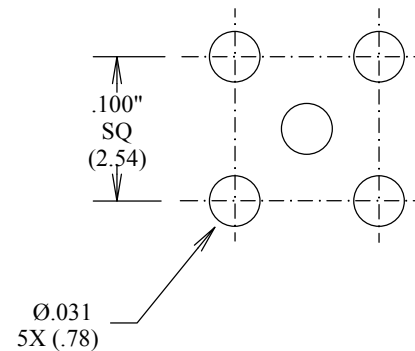
FREQUENCY: 0-18 GHZ  
 IMPEDANCE: 50 OHMS  
 VSWR: 1.3 MAX

### MECHANICAL:

MATERIAL BODY: BRASS  
 CENTER CONTACT: BRASS  
 PLATING: 30  $\mu$ -in  
 INSULATOR: TEFLON  
 INTERFACE: SMP 94007

LIMITED DETENTE  
 OP. TEMP RANGE: -55°C- +120°C

### MOUNTING DIMENSIONS



**FAIRVIEW MICROWAVE INC.**

ALLEN, TX 75013 WWW.FAIRVIEWMICROWAVE.COM

TITLE

**SMP-MALE PCB  
LIMITED DETENTE**

SIZE	CAGE CODE	DWG NO	REV
<b>A</b>	<b>3FKR5</b>	<b>SC5334</b>	--
SCALE		SHEET	

ALL DIMENSIONS IN inches(MM) Typical