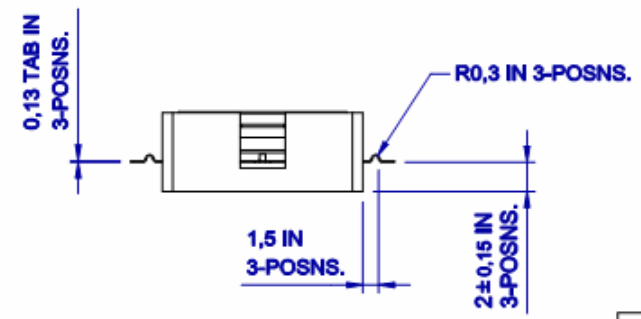
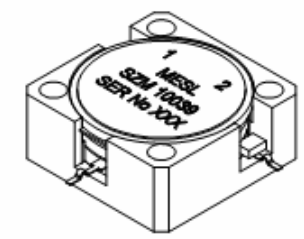
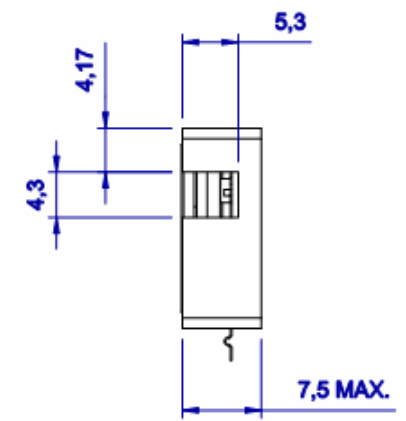
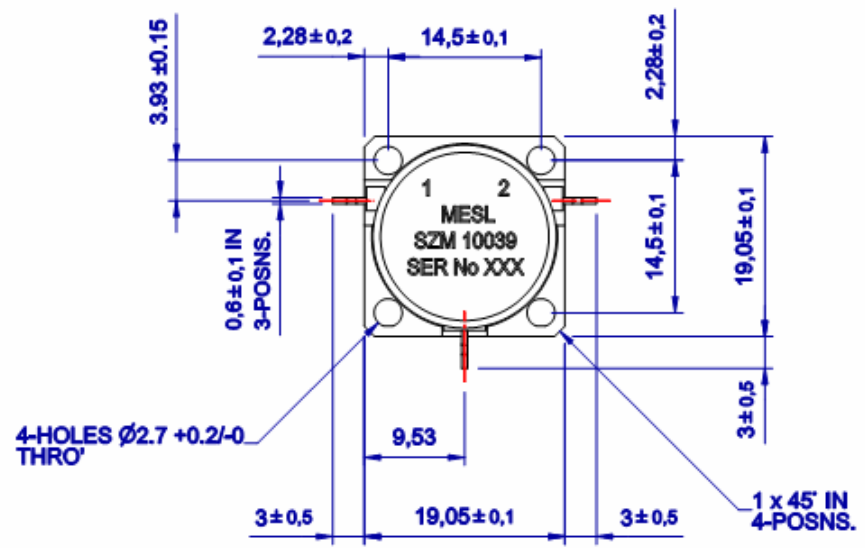


NOTES :
 1. THIS UNIT IS ROHS COMPLIANT BY DESIGN.



ELECTRICAL SPECIFICATIONS :

- FREQUENCY RANGE: 2496 - 2690 MHz.
- ISOLATION: 23 dB Min. OVER TEMP.
- INSERTION LOSS: 0.35dB Max. OVER TEMP.
- RETURN LOSS : 20dB Min. OVER TEMP.
- FORWARD POWER (Average) : 46 dBm / 40W Min.
- FORWARD POWER (PEAK) : 55 dBm / 316W Min.
- INTERMODULATION : -55dBc Min. (In-Band 2496 - 2690 MHz)
- TEMPERATURE : -40 to 55 Deg. C.

Q.A.
DATE
PROD.REL.
DATE
ENG.APP.
DATE
MECH. ENG.
DATE
DRAWN
AB. DATE

LIGHTLY REMOVE ALL BURRS AND SHARP EDGES U.O.S.

ORIGINAL SCALE 2/1	MATERIAL	SPECIFICATION
DO NOT SCALE PRINT	FINISH	SPECIFICATION
DIMENSION IN mm	BODY : BRIGHT NICKEL PLATED.	
CERTIFIED AT ISSUE		

REF	DESCRIPTION	No OFF	CHAR.	POS.TOL	A	DRN
RED (Development Only)						
						A 3
GENERAL TOLERANCE UNLESS OTHERWISE STATED ISO 2768-FH Symmetry ± 0,05		CONTRACTOR MESL MICROWAVE		SECURITY CLASSIFICATION		
FINISH TO BE 1.6 ✓ UNLESS OTHERWISE STATED		RESPONSIBLE AUTHORITY		CONTRACTORS DRAWING NUMBER 10039-000-OL		
		TITLE 2496-2690 MHz DROP-IN CIRC. Wi max OUTLINE SZM 10039		SERVICE DRAWING NUMBER		SHEET No 1 OFF 1