

OUTPUT

Frequency

50 MHz

Level

+13 dBm ±2 dB into 50 ohms

STABILITY

Aging

1 x 10⁻⁶ per year
after 30 days operating, typical

Phase Noise L(f), Static

100 Hz -135 dBc/Hz
1 kHz -155 dBc/Hz
10 kHz -169 dBc/Hz
100 kHz -170 dBc/Hz

Temperature Stability

±5 x 10⁻⁷, 0° to +50°C (Ref +25°C)

Harmonics

≤ -30 dBc

Spurious

≤ -90 dBc, excluding power
supply line related spurs

MECHANICAL

Dimensions

2 x 2 x 0.7"

Connectors

SMA(f) and solder pins on side

Packaging

Nickel-plated machined
aluminum case (CV-1A)

POWER REQUIREMENTS

Warm-Up Power

≤ 6 Watts for 5 minutes

Total Power

≤ 3 Watts at +25°C

Supply Voltage

+15 VDC ±5%

ADJUSTMENT

Mechanical Tuning

±4 x 10⁻⁶

Electrical Tuning

±2 x 10⁻⁷, ±5 VDC
Negative slope

CRYSTAL

Type

50 MHz SC-Cut (low-g)

Acceleration Sensitivity

≤ 5 x 10⁻¹⁰ /g per axis, typical

ENVIRONMENTAL

Operating Temperature

0° to +50°C

Storage Temperature

-40° to +85°C

OTHER

Label

Use conventional label with the
following information:

501-26249 (Current Rev.)

50 MHz Citrine

+15 VDC

Serial # - Date Code

Test Data

Output Level

Phase Noise, Static

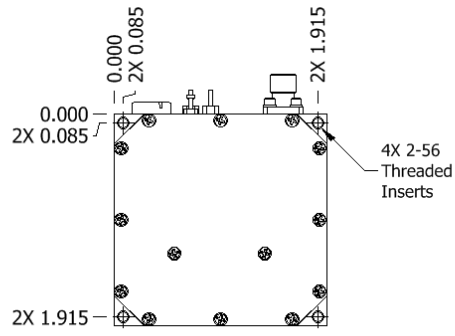
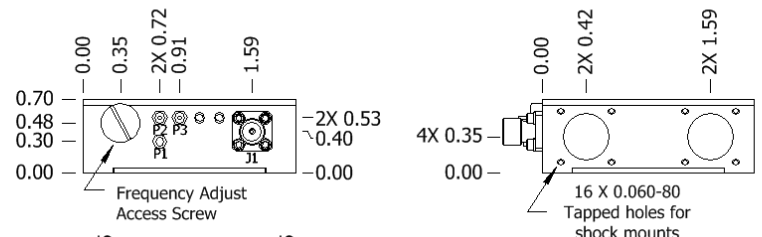
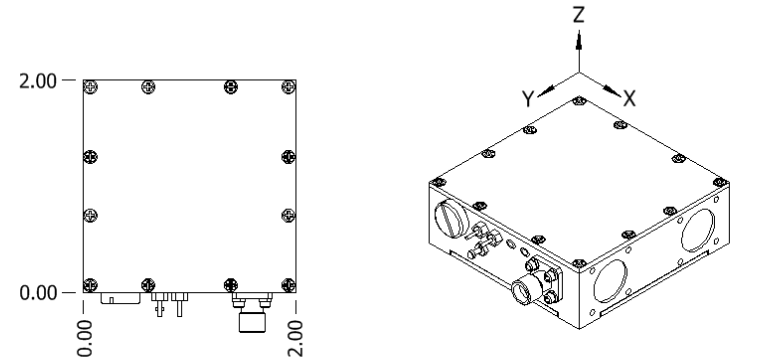
Temperature Stability

Harmonics, Spurious

Power – Warm-up and Total


Tuning – MT and ET

EV	DATE	REVISION RECORD	DWN	AUTH
-	09-06-12	Initial Release	PAC	



CV-1A	
Connector	Function
P1	Ground, Case
P2	Supply Voltage
P3	Electrical Tuning
J1	RF Output

Connector numbers are for reference only and will not be marked on unit.



Wenzel Associates, Inc.
Austin, Texas

Title: Standard 50 MHz-SC Citrine Crystal Oscillator				
P/N: 501-26249	Rev: -	Date: 09-06-12	Drawn:	Ref: SPR
Tolerances: (except as noted) Dimensions are in inches	0.XX Dec: ±0.030"	0.XXX Dec: ±0.010"	FSCM: 62821	Page 1 of 1