



0 to 30 dB Waveguide Continuously Variable Attenuator, WR-10, From 75 GHz To 110 GHz, UG 387/U-Mod Flange

TECHNICAL DATA SHEET

PE-W10AT001-30

Pasternack's Continuously Variable Waveguide Attenuators are offered for the frequency range of 33 to 110 GHz in five waveguide bands. The attenuation value of the Continuously Variable attenuators are from 0 to 30 dB with full waveguide operational bandwidth. The Continuously Variable attenuators are equipped with a micrometer, which enables rapid re-setting. With calibrated charts, attenuators can be used as direct reading attenuator for bench top test set use. The level setting attenuators are typically used in the test setups and prototype assemblies where certain attenuation is required.

- W-Band
- Rugged waveguide configuration
- Full band operation
- Up to 30 dB attenuation
- Low cost

Configuration

Design	Continuously Variable Attenuator
Waveguide	WR-10
Flange	UG 387/U-Mod
Body Material and Plating	Copper, Gold

Electrical Specifications Values at 25°C, sea level

Description	Minimum	Typical	Maximum	Units
Frequency Range	75		110	GHz
Impedance		50		Ohms
Typical Attenuation Value	0		30	dB
Insertion Loss			1	dB

Mechanical Specifications

Description	Flange 1	Waveguide	Flange 2
Interface	UG 387/U-Mod	WR-10	UG 387/U-Mod
Material	Copper	Copper	Copper
Plating	Gold	Gold	Gold
Color	Gold	Gold	Gold

Size

Length	2.5 in [63.5 mm]
Width	0.75 in [19.05 mm]
Height	2.165 in [54.99 mm]

Compliance Certifications (visit www.Pasternack.com for current document)

RoHS Compliant

Click the following link (or enter part number in "SEARCH" on website) to obtain additional part information including price, inventory and certifications: [0 to 30 dB Waveguide Continuously Variable Attenuator, WR-10, From 75 GHz To 110 GHz, UG 387/U-Mod Flange PE-W10AT001-30](#)



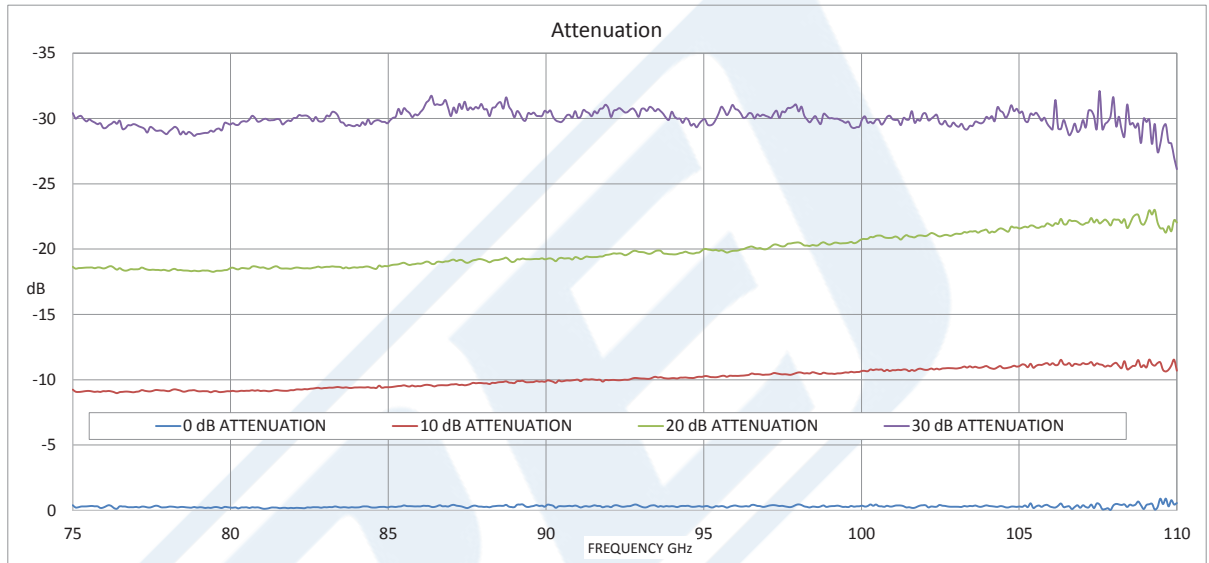
0 to 30 dB Waveguide Continuously Variable Attenuator, WR-10, From 75 GHz To 110 GHz, UG 387/U-Mod Flange

TECHNICAL DATA SHEET PE-W10AT001-30

Plotted and Other Data

Notes:

- Values at 25 °C, sea level



0 to 30 dB Waveguide Continuously Variable Attenuator, WR-10, From 75 GHz To 110 GHz, UG 387/U-Mod Flange from Pasternack Enterprises has same day shipment for domestic and International orders. Our RF, microwave and millimeter wave products maintain a 99% availability and are part of the broadest selection in the industry.

Click the following link (or enter part number in "SEARCH" on website) to obtain additional part information including price, inventory and certifications: [0 to 30 dB Waveguide Continuously Variable Attenuator, WR-10, From 75 GHz To 110 GHz, UG 387/U-Mod Flange PE-W10AT001-30](http://www.pasternack.com/30-db-waveguide-continuously-variable-attenuator-wr-10-110-ghz-pe-w10at001-30)

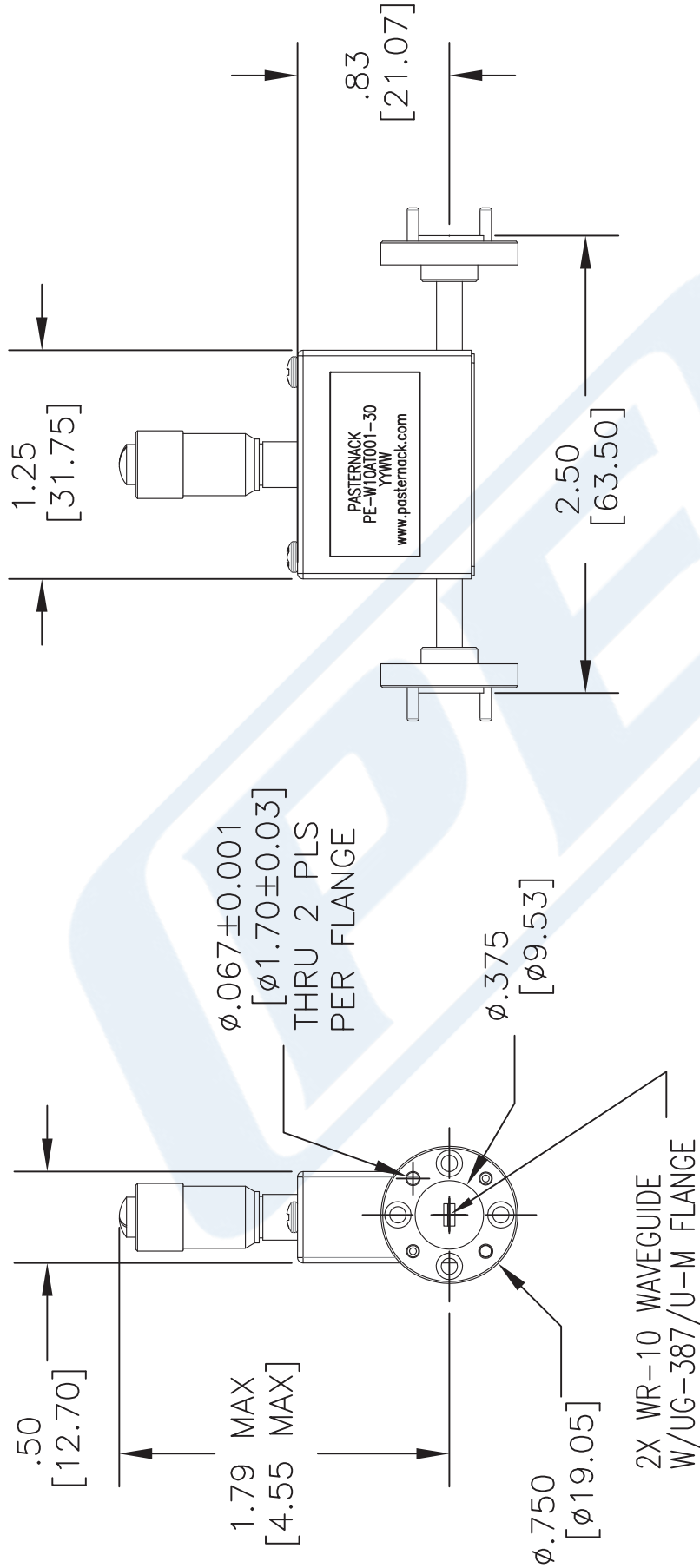
URL: <http://www.pasternack.com/30-db-waveguide-continuously-variable-attenuator-wr-10-110-ghz-pe-w10at001-30-p.aspx>

The information contained in this document is accurate to the best of our knowledge and representative of the part described herein. It may be necessary to make modifications to the part and/or the documentation of the part, in order to implement improvements. Pasternack reserves the right to make such changes as required. Unless otherwise stated, all specifications are nominal. Pasternack does not make any representation or warranty regarding the suitability of the part described herein for any particular purpose, and Pasternack does not assume any liability arising out of the use of any part or documentation.



PE-W10AT001-30 CAD Drawing

0 to 30 dB Waveguide Continuously Variable Attenuator, WR-10, From 75 GHz To 110 GHz, UG 387/U-Mod Flange



UNLESS OTHERWISE SPECIFIED:
 DIMENSIONS ARE IN: [mm] inches
 TOLERANCES ARE:
 .XX ± .02 [±.51]
 .XX ±.005 [±.13]

* THESE DIMENSIONS AND TOLERANCES SUPERSEDE NOTE #1 ON TITLE BLOCK.

DWG TITLE
PE-W10AT001-30

NOTES:
 1. UNLESS OTHERWISE SPECIFIED ALL DIMENSIONS ARE NOMINAL.
 2. ALL SPECIFICATIONS ARE SUBJECT TO CHANGE WITHOUT NOTICE AT ANY TIME.
 3. DIMENSIONS ARE IN INCHES [mm].

FSCM NO. 53919

CAD FILE 032015

SCALE N/A

SIZE A

2233

PE PASTERNAK
 THE ENGINEER'S RF SOURCE
 Pasternack Enterprises, Inc.
 P.O. Box 16759 | Irvine | CA | 92623
 Phone: (949) 261-1920 | Fax: (949) 261-7451
 Website: www.pasternack.com | E-Mail: sales@pasternack.com