

# SMP-F .047 CABLE RA CONNECTOR

SC5241

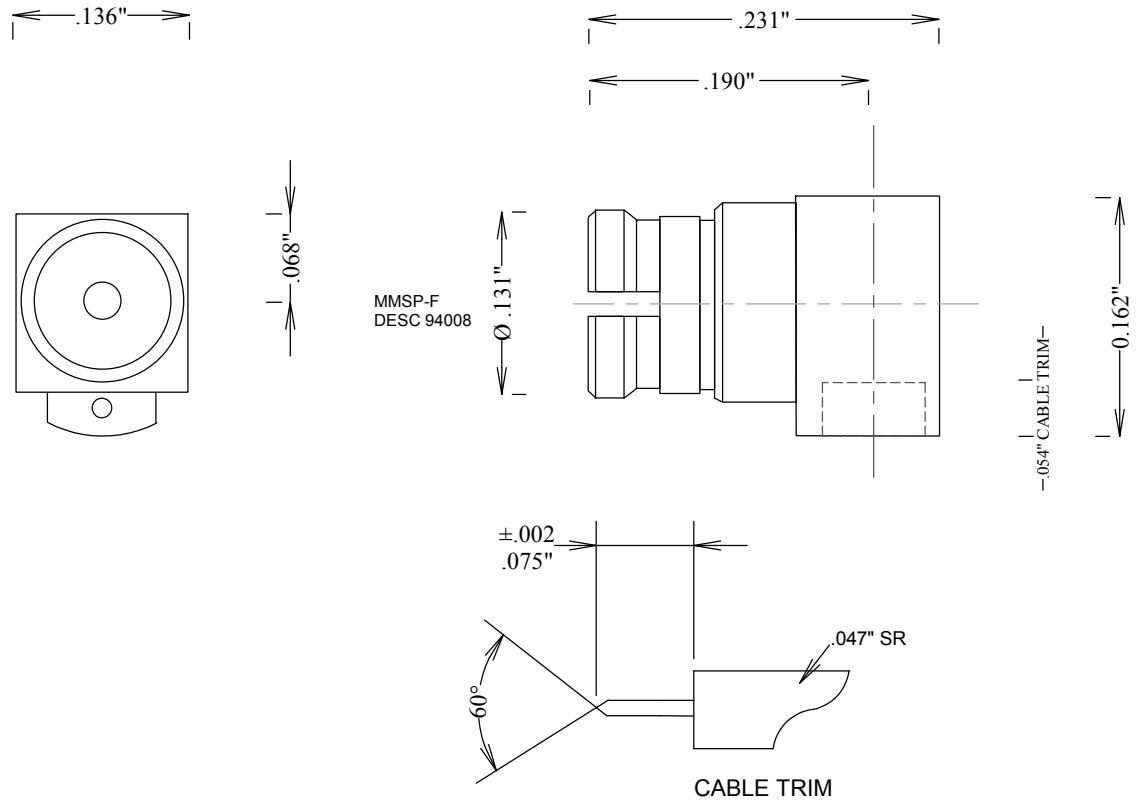
## SPECIFICATIONS

### ELECTRICAL:

FREQUENCY: 0-18 GHZ  
 IMPEDANCE: 50 OHMS  
 OP. TEMP RANGE: -55° to +125°C

### MECHANICAL:

MATERIAL BODY: BeCu  
 CENTER CONTACTS: BeCu  
 PLATING: Au PER MIL-G-45204  
 INSULATOR: PTFE  
 INTERFACE: SMP DESC 94007  
 ROHS COMPLIANT



**FAIRVIEW MICROWAVE INC.**

ALLEN, TX 75013 WWW.FAIRVIEWMICROWAVE.COM

TITLE

**SMP-F .047 CABLE RA CONNECTOR**

|          |              |               |          |
|----------|--------------|---------------|----------|
| SIZE     | CAGE CODE    | DWG NO        | REV      |
| <b>A</b> | <b>3FKR5</b> | <b>SC5241</b> | <b>A</b> |
| SCALE    | SHEET        |               |          |