



Precision SMA Female to SMA Female Adapter 26.5 Ghz.

TECHNICAL DATA SHEET

PE9507

Precision SMA Female to SMA Female Adapter 26.5 Ghz.

Configuration

Connector 1	SMA Female
Impedance 1	50 Ohms
Connector 2	SMA Female
Impedance 2	50 Ohms
Adapter Design	Precision
Body Style	Straight

Electrical Specifications

Frequency Range, GHz	DC to 26.5
Maximum VSWR	1.2:1

Mechanical Specifications

Size

Length, in [mm]	0.588 [14.94]
Width/Dia., in [mm]	0.278 [7.06]

Connector 1

Type	SMA Female
Inner Conductor Material and Plating	Beryllium Copper, Gold
Inner Conductor Plating Specification	MIL-G-45204
Body Material and Plating	Stainless Steel, Passivated
Body Plating Specification	ASTM A380
Dielectric Type	PTFE

Connector 2

Type	SMA Female
Inner Conductor Material and Plating	Beryllium Copper, Gold
Inner Conductor Plating Specification	MIL-G-45204
Body Material and Plating	Stainless Steel, Passivated
Body Plating Specification	ASTM A380

Compliance Certifications (visit www.Pasternack.com for current document)

RoHS Compliant	Yes
----------------	-----

Click the following link (or enter part number in "SEARCH" on website) to obtain additional part information including price, inventory and certifications: [Precision SMA Female to SMA Female Adapter 26.5 Ghz. PE9507](#)

The information contained in this document is accurate to the best of our knowledge and representative of the part described herein. It may be necessary to make modifications to the part and/or the documentation of the part, in order to implement improvements. Pasternack reserves the right to make such changes as required. Unless otherwise stated, all specifications are nominal.





Precision SMA Female to SMA Female Adapter 26.5 Ghz.

TECHNICAL DATA SHEET

PE9507

Plotted and Other Data

Notes:

Values at 25 °C, sea level

Precision SMA Female to SMA Female Adapter 26.5 Ghz. from Pasternack Enterprises has same day shipment for domestic and International orders. Our RF, microwave and fiber optic products maintain a 99% availability and are part of the broadest selection in the industry.

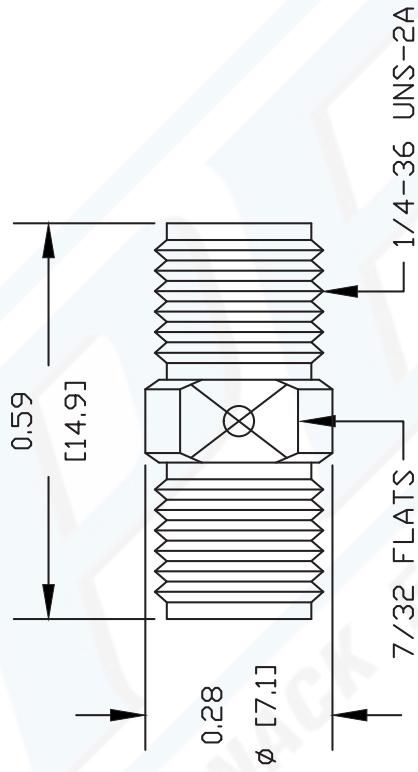
Click the following link (or enter part number in "SEARCH" on website) to obtain additional part information including price, inventory and certifications: [Precision SMA Female to SMA Female Adapter 26.5 Ghz. PE9507](#)

URL: <http://www.pasternack.com/sma-female-sma-female-straight-adapter-pe9507-p.aspx>

The information contained in this document is accurate to the best of our knowledge and representative of the part described herein. It may be necessary to make modifications to the part and/or the documentation of the part, in order to implement improvements. Pasternack reserves the right to make such changes as required. Unless otherwise stated, all specifications are nominal.

PE9507 CAD Drawing

Precision SMA Female to SMA Female Adapter 26.5 Ghz.



NOTES:
 1. UNLESS OTHERWISE SPECIFIED ALL DIMENSIONS ARE NOMINAL.
 2. ALL SPECIFICATIONS ARE SUBJECT TO CHANGE WITHOUT NOTICE AT ANY TIME.
 3. DIMENSIONS ARE IN INCHES [mm].

DWG TITLE
PE9507

FSCM NO. 53919

2233

SIZE A

SCALE N/A

CAD FILE 040413-A



Pasternack Enterprises, Inc.
 P.O. Box 16759 | Irvine | CA | 92623
 Phone: (949) 261-1920 | Fax: (949) 261-7451
 Website: www.pasternack.com | E-Mail: sales@pasternack.com