



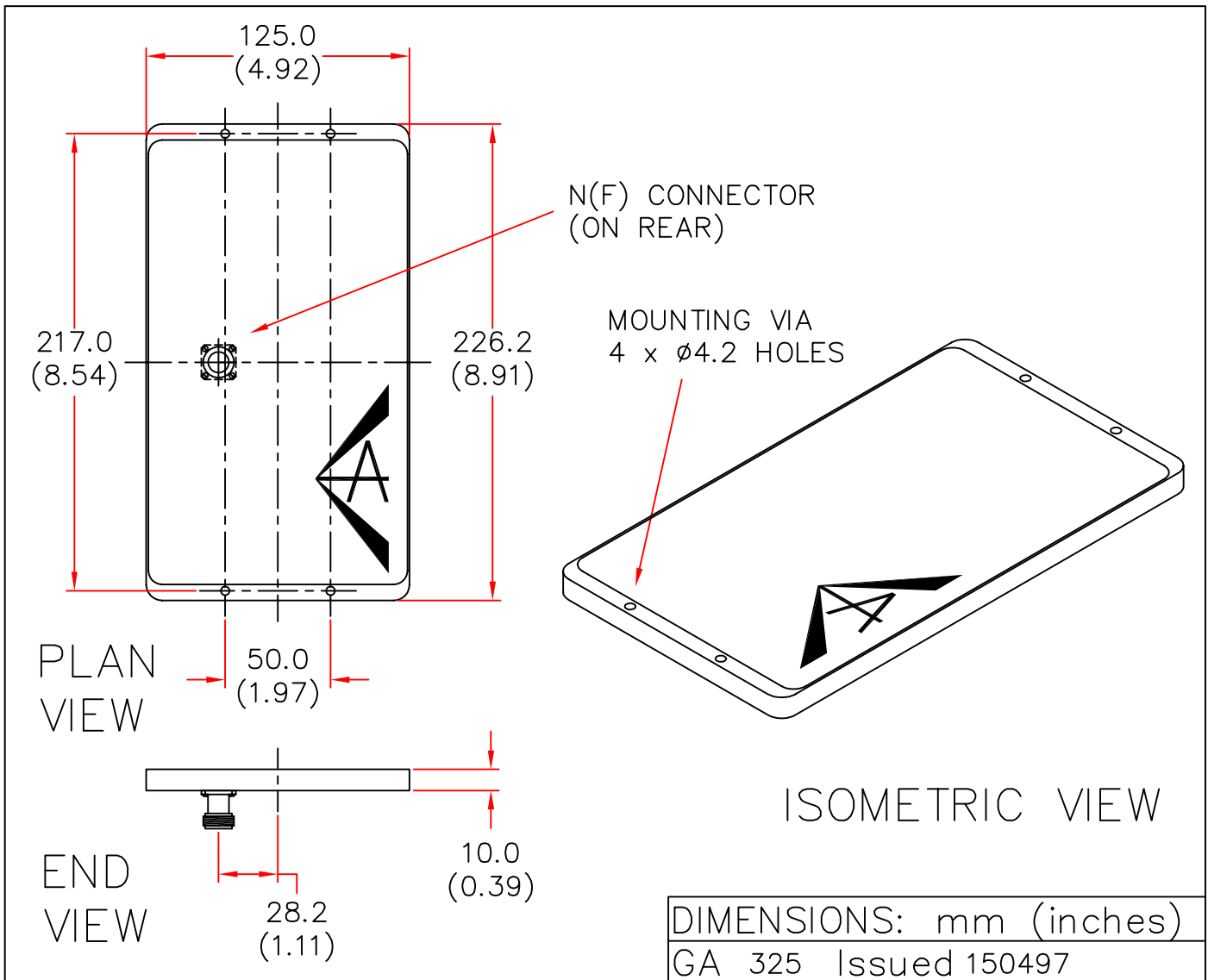
EUROPEAN ANTENNAS



FLAT PANEL ANTENNA

MODEL: FPA15-20A-40E-34V/325

FREQUENCY: 3.40 – 3.50 GHz	GAIN: 15 dBi
POLARISATION: Linear (Vertical)	BEAMWIDTH: 20°(az.) x 40° (el.)
CROSS POLAR: 20 dB	VSWR: 1.5 : 1
POWER RATING: 5 W	FRONT TO BACK: 20 dB
TEMPERATURE: -20°C to +50°C	MASS: 0.35 Kg/0.77 lbs
RADOME: Glass Fibre/Gloss White	WIND LOADING: 4.6Kg/10.1lbs@100mph



EUROPEAN ANTENNAS LTD.

TEL: +44 (0)1638 731888

LAMBDA HOUSE, CHEVELEY,
NEWMARKET, SUFFOLK, CB8 9RG,
UNITED KINGDOM.

FAX: +44 (0)1638 731999

European Antennas Ltd. has a policy of continuous development and therefore stress that the data contained on this sheet should be used for guidance only.