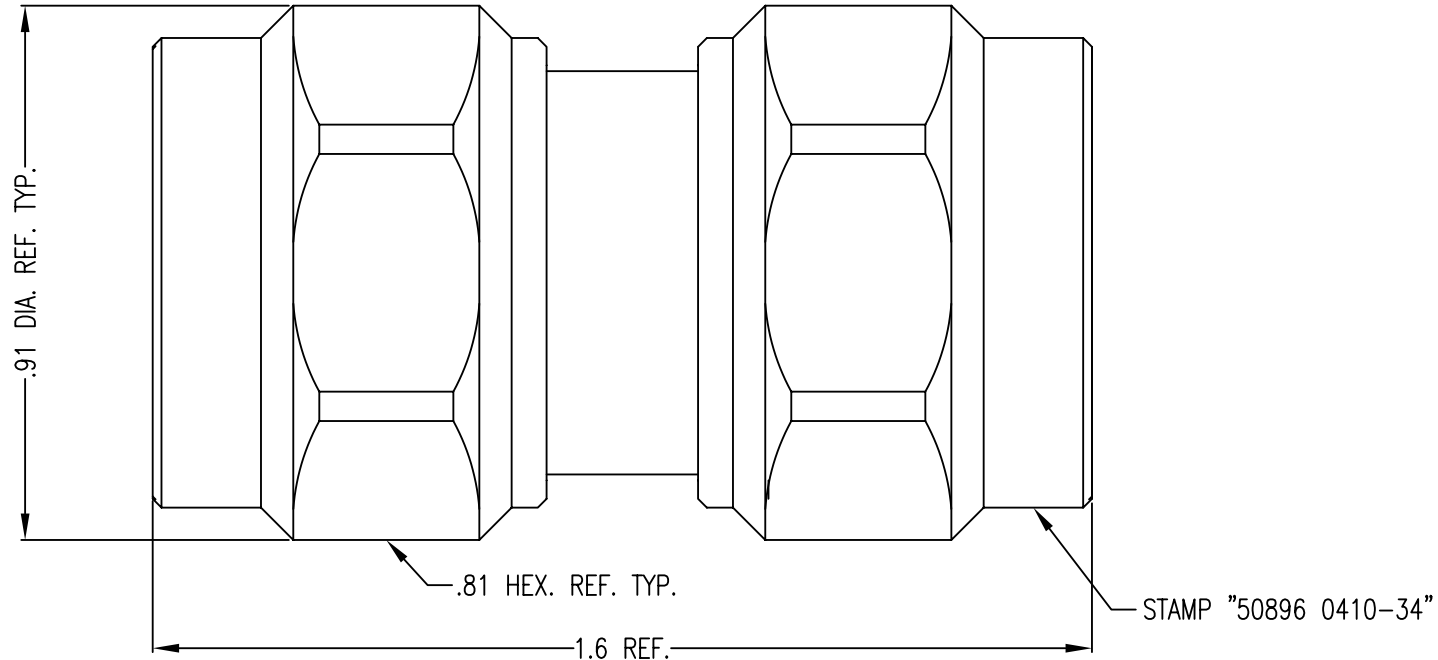


1.0 PERFORMANCE  
 1.1 FREQUENCY RANGE: DC-11GHz  
 1.2 VOLTAGE RATING: 1000V RMS (sea level)  
 1.3 NOMINAL IMPEDANCE: 50 OHMS  
 1.4 DWV: 2500 V RMS @ 60 Hz (sea level)  
 1.5 TEMPERATURE RANGE: -65°C TO +165°C  
 2.0 MATERIALS  
 2.1 DIELECTRIC: TEFLON, ASTM-D-1710

2.2 CENTER CONTACT: BRASS, ASTM-B-16  
 2.3 GASKET: SILICON RUBBER, ZZ-R-765, GR.50-60, RED.  
 2.4 LOCKING RINGS: PHOSPHER BRONZE, ASTM-B-159, SPRING TEMPER.  
 2.5 OTHER METAL PARTS: BRASS, ASTM-B-16  
 3.0 FINISHES  
 3.1 CENTER CONTACT: SILVER PLATED PER QQ-S-365.  
 3.2 ALL OTHER METAL PARTS: NICKEL PLATED PER QQ-N-290.  
 4.0 MECHANICAL  
 4.1 INTERFACE IN ACCORDANCE WITH MIL-STD-348

DWG NO. OL-0410-34-1	REV. A
-------------------------	-----------



A	ORIGINAL	6/14/99	<input checked="" type="checkbox"/>	<input checked="" type="checkbox"/>
Rev.	Revisions	Date	Dwn.	Appd.
	RECOM. STOCK SIZE	FT/M PCS	QTY REQD	

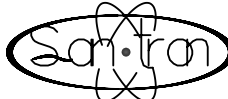
PROPRIETARY  
 THIS DRAWING CONTAINS CONFIDENTIAL INFORMATION  
 PROPRIETARY TO SAN\*TRON INC. IT MUST NOT BE  
 REPRODUCED OR DISCLOSED TO OTHERS OR USED IN  
 ANY OTHER WAY, IN WHOLE OR PART EXCEPT AS  
 AUTHORIZED IN WRITING BY SAN\*TRON INCORPORATED.

REMOVE ALL BURRS AND SHARP  
 EDGES .005 MAX.  
 UNLESS OTHERWISE STATED  
 ALL DIMENSIONS ARE IN INCHES  
 AND APPLY AFTER PLATING

UNSPECIFIED TOL.	DWN	MM	6/14/99
DEC. ± .005	CHKD	SJS	6/15/99
FRAC. ± 1/64			
ANG. ± 1/2°	APPR		

CONCENTRICITY .004 TIR <sup>63</sup>  
 ALL MACHINED SURFACES ✓

**SAN • TRON, INC.**  
 4 NEWBURYPORT TPK, IPSWICH, MA 01938



TITLE ADAPTER, STRAIGHT, N(M) TO N(M)

MATERIAL: SEE NOTE 2.0	FINISH: SEE NOTE 3.0
---------------------------	-------------------------

FSCM NO. 50896	DWG NO. OL-0410-34-1	REV. A
SCALE 3:1		