

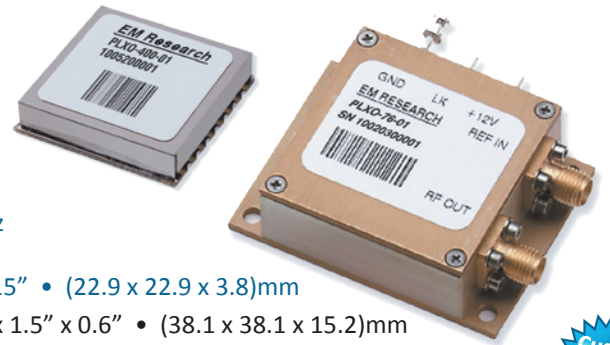
PLXO Series Phase-Locked Crystal Oscillator

PRODUCT FEATURES

- Connectorized or surface-mount package

GENERAL CHARACTERISTICS

- Fixed Frequency: 5 - 420 MHz
- Phase Noise (Fout=120 MHz): <-135 dBc/Hz @ 1 KHz
- Jitter (Fout=120 MHz): 0.05 pSec, RMS
- Smaller Package: (SMT) 0.9" x 0.9" x 0.15" • (22.9 x 22.9 x 3.8)mm
- Package: (Connectorized) 1.5" x 1.5" x 0.6" • (38.1 x 38.1 x 15.2)mm



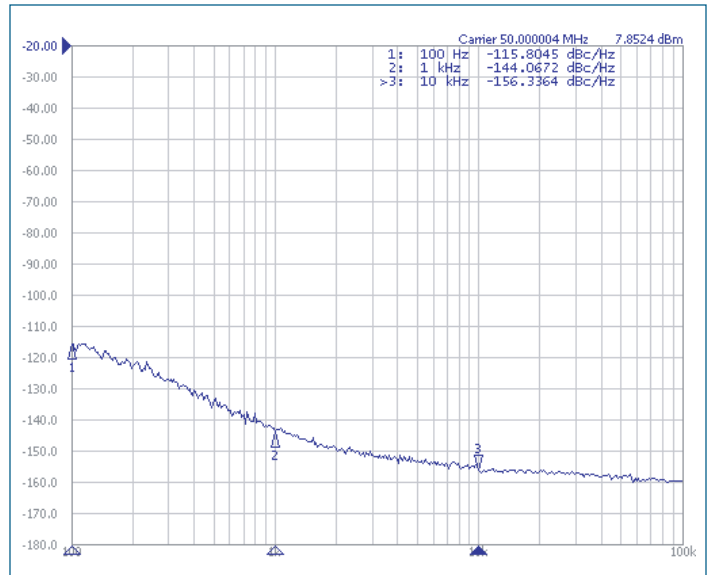
Custom Designs Available

Typical Performance for Select Units

Model #	Freq. (MHz)	Step (KHz)	Power Output (dBm)	Harmonics (dBc)	Phase Noise (dBc/Hz)		Spurs (dBc)	Voltage (Vdc)	Supply Current (mA)
					1 KHz	10 KHz			
PLXO-10-XX	10	na	+7	-15	-145	-155	-60	+5	95
PLXO-30-XX	30	na	+7	-20	-145	-155	-60	+5	65
PLXO-34-XX	34	na	+7	-20	-145	-155	-70	+12	115
PLXO-40-XX	40	na	+10	-15	-140	-150	-60	+5	85
PLXO-50-XX	50	na	+7	-20	-140	-150	-80	+12	115
PLXO-80-XX	80.7	na	+0	-12	-135	-145	-65	+3.3	75
PLXO-100-XX	100	na	+7	-15	-135	-145	-75	+12	95
PLXO-112-XX	112	na	+7	-15	-135	-145	-70	+12	110
PLXO-120-XX	120	na	CMOS	na	-135	-145	-70	+5	75
PLXO-150-XX	150	na	+7	-20	-135	-145	-70	+18	105
PLXO-156-XX	156	na	+5	-15	-135	-145	-70	+5	95
PLXO-180-XX	180	na	+7	-20	-130	-140	-70	+12	125
PLXO-250-XX	250	na	+7	-20	-125	-135	-70	+12	125
PLXO-300-XX	300	na	+7	-15	-125	-135	-60	+12	150
PLXO-400-XX	400	na	-5	-12	-110	-120	-60	+12	150

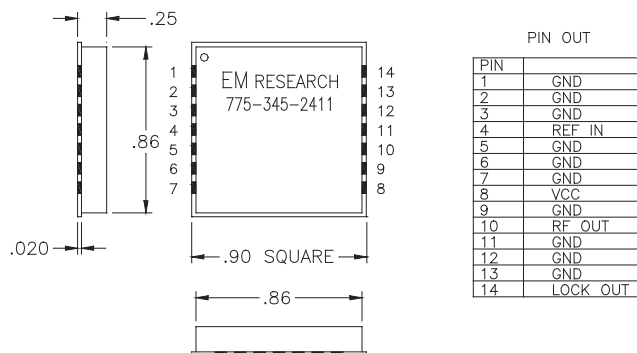
*Custom frequencies available. All specifications are typical unless otherwise specified and subject to change without notice.

Phase Noise

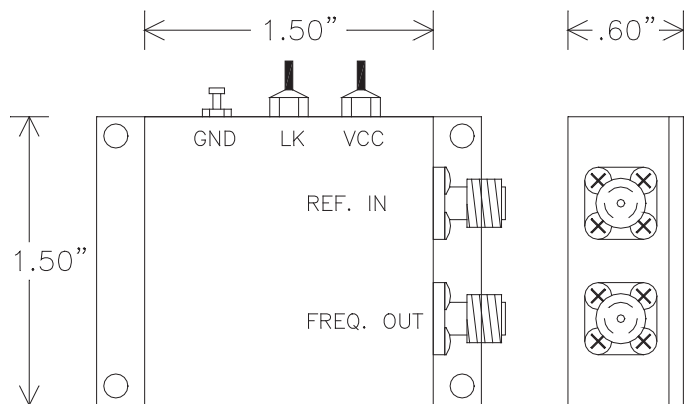


Package

Surface-Mount:



Connectorized:



Note: All dimensions are in inches, unless otherwise specified

*Drawing not to scale