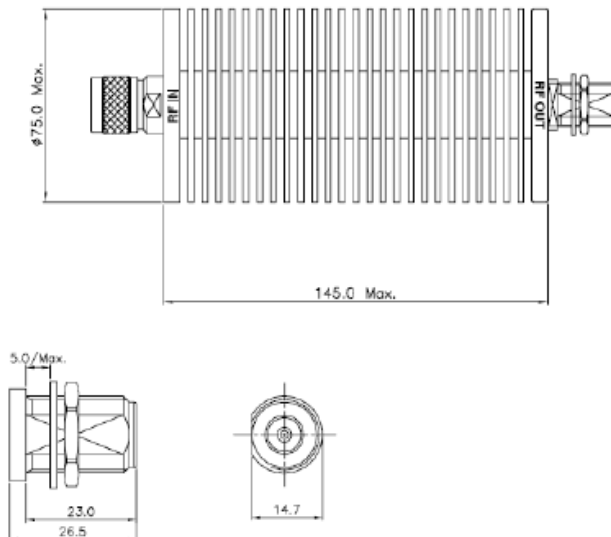


19A3BC-XX

Low PIM Attenuator

- PIM = -145dBc (IEC 62037 2X20W Tones)
- High power handling.
- Low VSWR
- Multiple attenuation values available.

Electrical Performance	Specifications
Frequency Range	DC to 3.0 GHz
Attenuation	Fixed at either 3dB, 6dB, 10dB, 20dB and 30dB (+/- 1.0dB)
Impedance	50 Ω (+/- 1 Ω)
Power	100W CW
VSWR	1.25:1
PIM	-145 dBc
Mechanical	
Connectors	Type N Male/Female
Operating Temperature	-40° to +85°C



Dimensions in mm. All specifications are subject to change without notice.