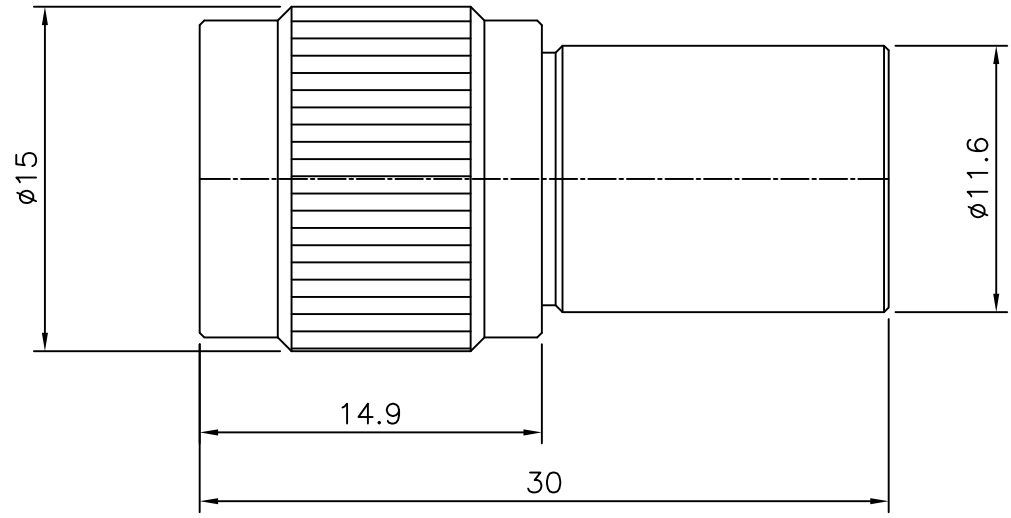


No.	Revision	Date	Name
△			
△			

RoHS Compliant



SPECIFICATIONS

Frequency Range----- DC~6GHz
 VSWR-----1.2:1Max.@~4GHz 1.3:1@4~6GHz
 Impedance----- 50 Ohms
 Power Rating----- 2Watts
 Oper Temp Range----- -50°C~+125°C

CONNECTOR----- Brass/Nickel plated
 Conductors----- Beryllium copper/Gold plated

TNC MALE-Termination

NO.	DESCRIPTION	Q'TY	MATERIAL	FINISH	REMARKS.
PARTS No.	1T-901-2W		NAME TNC-P-TERM		APPROVED
MATERIAL	FINISH	TOLERANCES OTHERWISE SPEC. ±0.05 ANGLES ±1°			CHECKED
SCALE		UNIT	DESIGNED		S.J.LEE
		mm	DATE.		
DWG NO.		1T-901-2W			03/MAR/2009

CUSTOMER

Cross RF
 web: www.crossrf.com

1 2 3 4 5 6
 D
 C
 B
 A