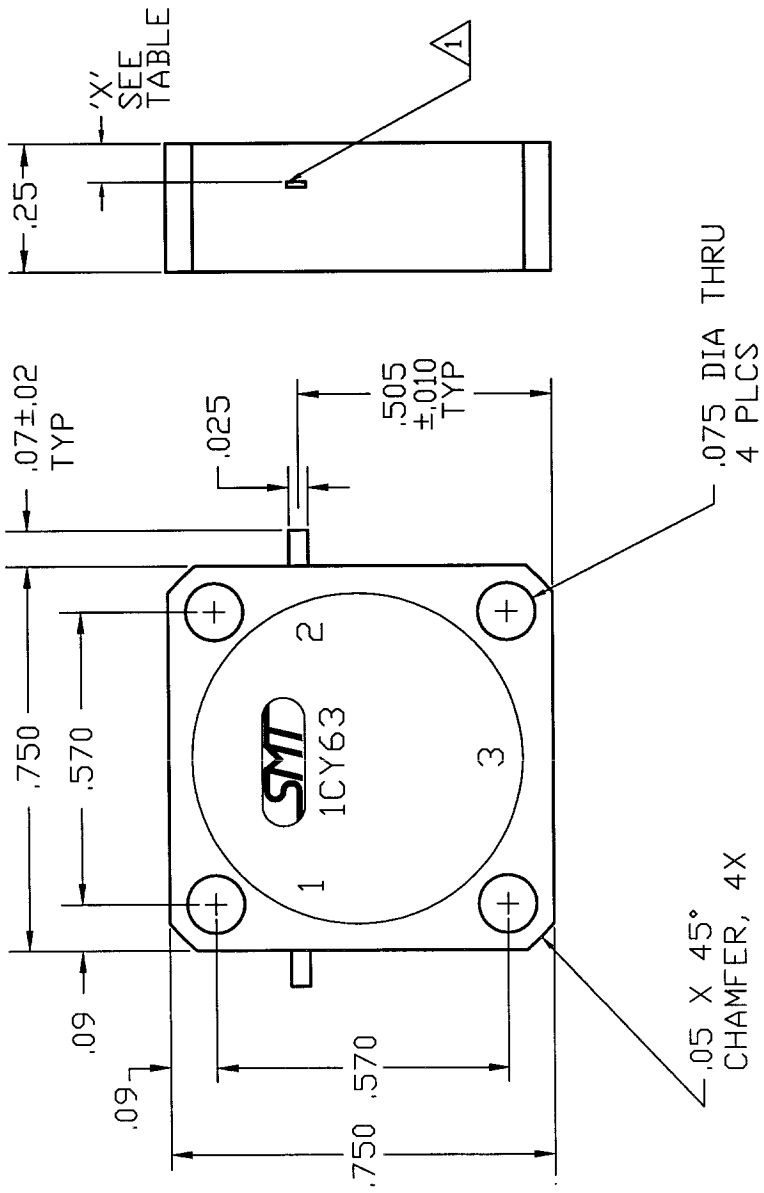


| REVISIONS | | |
|-----------|-------------------|------|
| REV. | DESCRIPTION | DATE |
| NC | INITIAL RELEASE | |
| A | REV PER ECN: 4848 | |
| B | BLANKET ECN: 5515 | |
| C | REV PER ECN: 6549 | |



SPECIFICATIONS

- FREQUENCY RANGE: 2.0 TO 2.3 GHz
- VSWR: 1.25:1 MAX
- ISOLATION: 20 dB MIN
- INSERTION LOSS: 0.4 dB MAX
- TEMPERATURE
 - OPERATING: -54° TO +100°C
 - STORAGE: -54° TO +100°C
- LOAD RATING: 4 WATTS MIN. @ 85°C HEATSINK TEMPERATURE

| OPTION NO. | HEIGHT (NOM.) |
|------------|---------------|
| A | .065 |
| B | .075 |
| C | .090 |
| D | .100 |
| E | .120 |

| | | | | |
|------------------------------------------------------|----------|-----------------------------|-----------------------------|------------------------|
| QTY RECD | FSCM NO. | PART OR IDENTIFYING NO. | NOMENCLATURE OR DESCRIPTION | MATERIAL SPECIFICATION |
| PARTS LIST | | | | |
| FRACTIONS DECIMALS ANGLES XXX .01 ± .XXXX .005 | | SIERRA MICROWAVE TECHNOLOGY | | |
| MATERIAL | | OUTLINE FOR SDI2023X | | |
| FINISH | | SIZE | AVG. NO. | REV. |
| | | B | 1CY63 | 205-1997-001 |
| NEXT ASSY | | USED IN | SCALE | SHEET |
| SDI2023B | | | | C |
| APPLICATION | | | | |

2. CASE: STAINLESS STEEL NICKEL PLATED.

1. TABS ARE .005±.001 THK. Be Cu, GOLD PLATED.

NOTES: