



LC Male to LC Male Adapter

TECHNICAL DATA SHEET

PE9569

LC Male to LC Male Adapter

Configuration

Connector 1	LC Male
Impedance 1	50 Ohms
Connector 2	LC Male
Impedance 2	50 Ohms
Adapter Design	Standard
Body Style	Straight

Mechanical Specifications

Size

Length, in [mm]	3.7 [93.98]
Width/Dia., in [mm]	1.5 [38.1]

Connector 1

Type	LC Male
Inner Conductor Material and Plating	Silver
Coupling Nut Material and Plating	Brass, Nickel
Hex Size, in.	1 1/2
Body Material and Plating	Brass, Nickel
Dielectric Type	PTFE

Connector 2

Type	LC Male
Inner Conductor Material and Plating	Silver
Coupling Nut Material and Plating	Brass, Nickel
Hex Size, in.	1 1/2
Body Material and Plating	Brass, Nickel
Dielectric Type	PTFE

Compliance Certifications (visit www.Pasternack.com for current document)

RoHS Compliant	Yes
----------------	-----

Plotted and Other Data

Notes:	Values at 25 °C, sea level
--------	----------------------------

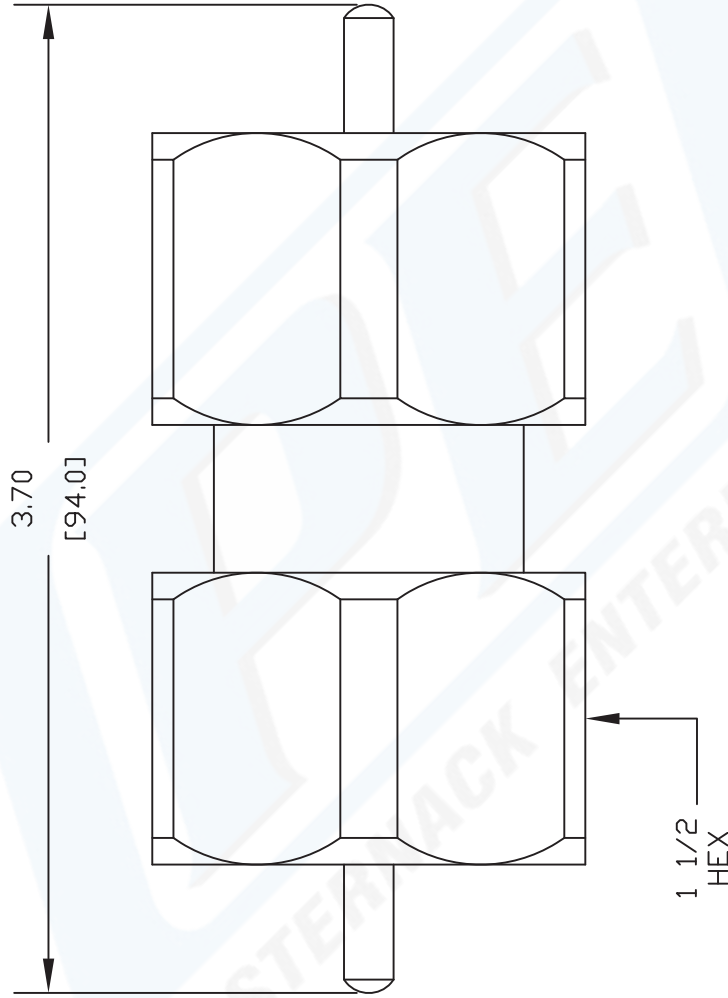
URL: <http://www.pasternack.com/lc-male-lc-male-straight-adapter-pe9569-p.aspx>

LC Male to LC Male Adapter from Pasternack Enterprises has same day shipment for domestic and International orders. Our RF, microwave and fiber optic products maintain a 99% availability and are part of the broadest selection in the industry.

The information contained in this document is accurate to the best of our knowledge and representative of the part described herein. It may be necessary to make modifications to the part and/or the documentation of the part, in order to implement improvements. Pasternack reserves the right to make such changes as required. Unless otherwise stated, all specifications are nominal.



PE9569 CAD Drawing
LC Male to LC Male Adapter



NOTES:
1. UNLESS OTHERWISE SPECIFIED ALL DIMENSIONS ARE NOMINAL.
2. ALL SPECIFICATIONS ARE SUBJECT TO CHANGE WITHOUT NOTICE AT ANY TIME.
3. DIMENSIONS ARE IN INCHES [mm].

DWG TITLE
PE9569

PASTERNAK ENTERPRISES, INC.
PO BOX 16759, IRVINE, CA 92623
PHONE (949) 261-1920 FAX (949) 261-7451
WEB ADDRESS: www.pasternack.com
E-MAIL ADDRESS: sales@pasternack.com
COAXIAL & FIBER OPTICS



REV. -	FSCM NO. 53919	CAD FILE 100202	SCALE N/A	SIZE A	127
--------	----------------	-----------------	-----------	--------	-----