



End Launch Full Band Waveguide WR28 to 2.92mm Adapter



- High power handle capability up to 50W
- Wide band operation
- Low VSWR within operational band
- Low Insertion loss
- Low temperature coefficient ferrite material offer stable performance over temperature
- Aerospace and military application
- High peak to average handle capability
- All specifications can be modified upon request

Parameter	Min	Type	Max	Units
Frequency Range	26.5-40.0			GHz
Insertion Loss	0.15	0.17	0.20	dB
VSWR	1.15	1.20	1.25	:1
Forward Power (CW)			50	W
Weight	19			g
Impedance	50			Ω
Input /Output Connector	2.92mm Female			
Finishing	Electrical Oxidation			
Case Material	Aluminum alloy			
Operational Temp.	-45		85	$^{\circ}\text{C}$
Storage Temp.	-55		125	$^{\circ}\text{C}$
Altitude	45000		TBD	ft.
Vibration	10g 15 degree 2KHz			RMS
Humidity	100% RH at 35c, 95%RH at 40 $^{\circ}\text{C}$			
Shock	20G for 11msc.			

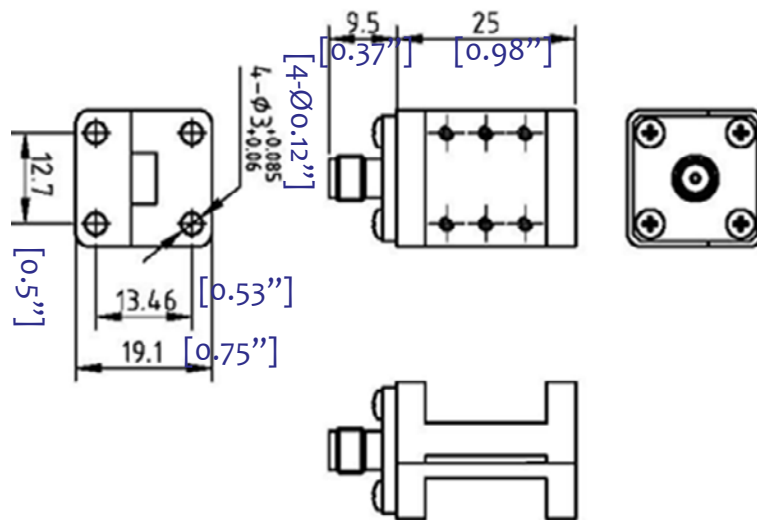
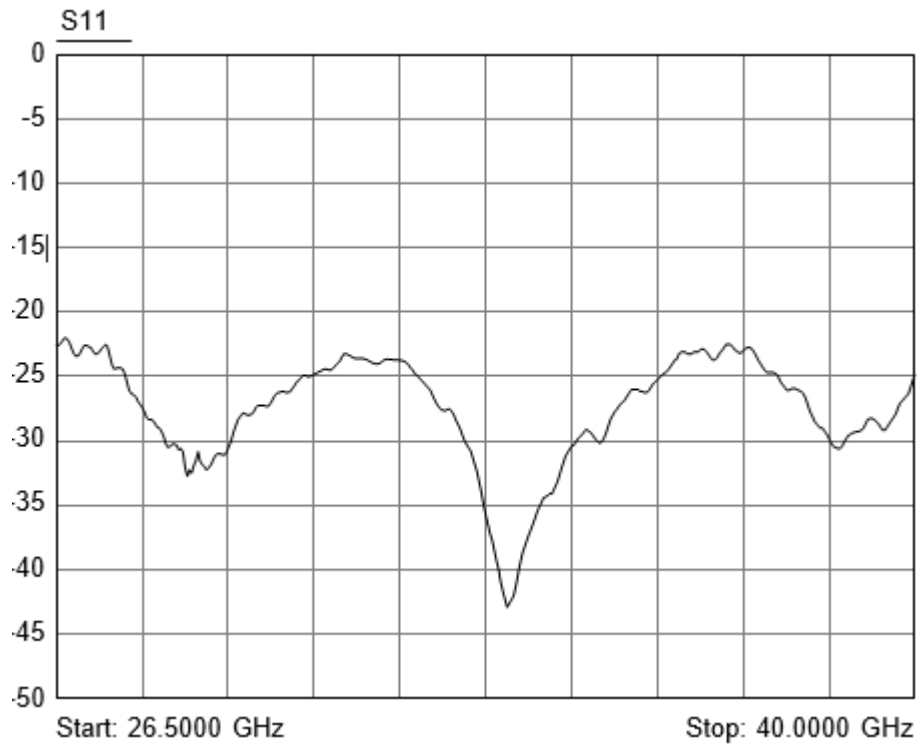
26-5-40GHz Full Band Waveguide WR28 to 2.92mm Adapter



RF-LAMBDA

The power beyond expectations

RFWA28WF



Important Notice

The information contained herein is believed to be reliable. RF-Lambda makes no warranties regarding the information contained herein. RF-Lambda assumes no responsibility or liability whatsoever for any of the information contained herein. RF-Lambda assumes no responsibility or liability whatsoever for the use of the information contained herein. The information contained herein is provided "AS IS, WHERE IS" and with all faults, and the entire risk associated with such information is entirely with the user. All information contained herein is subject to change without notice. Customers should obtain and verify the latest relevant information before placing orders for RF-Lambda products. The information contained herein or any use of such information does not grant, explicitly or implicitly, to any party any patent rights, licenses, or any other intellectual property rights, whether with regard to such information itself or anything described by such information.

RF-Lambda products are not warranted or authorized for use as critical components in medical, life-saving, or life sustaining applications, or other applications where a failure would reasonably be expected to cause severe personal injury or death.

26-5-40GHz Full Band Waveguide WR28 to 2.4mm Adapter