



Precision SMA Female to SMP Male 2 Hole Flange
 Adapter Smooth Bore .450 Mounting Hole Spacing

TECHNICAL DATA SHEET

PE91057

Precision SMA Female to SMP Male 2 Hole Flange Adapter Smooth Bore .450 Mounting Hole Spacing

Configuration

Connector 1	SMA Female
Impedance 1	50 Ohms
Connector Specification 1	MIL-STD-348
Connector 2	SMP Male
Impedance 2	50 Ohms
Connector Specification 2	DESC94007
Adapter Design	Precision
Body Style	Straight
Mount Method	2 Hole Flange

Electrical Specifications

Frequency Range, GHz	DC to 26.5
Maximum VSWR	1.2:1

Mechanical Specifications

Temperature

Operating Range, deg C	-55 to +125
------------------------	-------------

Size

Length, in [mm]	0.78 [19.81]
Width/Dia., in [mm]	0.625 [15.88]
Height, in [mm]	0.281 [7.14]

Connector 1

Type	SMA Female
Mating Cycles	1,000
Inner Conductor Material and Plating	Beryllium Copper, Gold
Inner Conductor Plating Specification	MIL-G-45204, Type I, Grade 1, Class A
Body Material and Plating	Passivated Stainless Steel
Body Plating Specification	AMS-QQ-P-35
Dielectric Type	PTFE

Connector 2

Type	SMP Male
Mating Cycles	1,000
Inner Conductor Material and Plating	Beryllium Copper, Gold
Inner Conductor Plating Specification	MIL-G-45204, Type I, Grade 1, Class A
Body Material and Plating	Passivated Stainless Steel
Body Plating Specification	AMS-QQ-P-35
Dielectric Type	PTFE

Click the following link (or enter part number in "SEARCH" on website) to obtain additional part information including price, inventory and certifications: [Precision SMA Female to SMP Male 2 Hole Flange Adapter Smooth Bore .450 Mounting Hole Spacing PE91057](#)

The information contained in this document is accurate to the best of our knowledge and representative of the part described herein. It may be necessary to make modifications to the part and/or the documentation of the part, in order to implement improvements. Pasternack reserves the right to make such changes as required. Unless otherwise stated, all specifications are nominal.





Precision SMA Female to SMP Male 2 Hole Flange
Adapter Smooth Bore .450 Mounting Hole Spacing

TECHNICAL DATA SHEET

PE91057

Compliance Certifications (visit www.Pasternack.com for current document)

RoHS Compliant

Yes

Plotted and Other Data

Notes:

Values at 25 °C, sea level

Precision SMA Female to SMP Male 2 Hole Flange Adapter Smooth Bore .450 Mounting Hole Spacing from Pasternack Enterprises has same day shipment for domestic and International orders. Our RF, microwave and fiber optic products maintain a 99% availability and are part of the broadest selection in the industry.

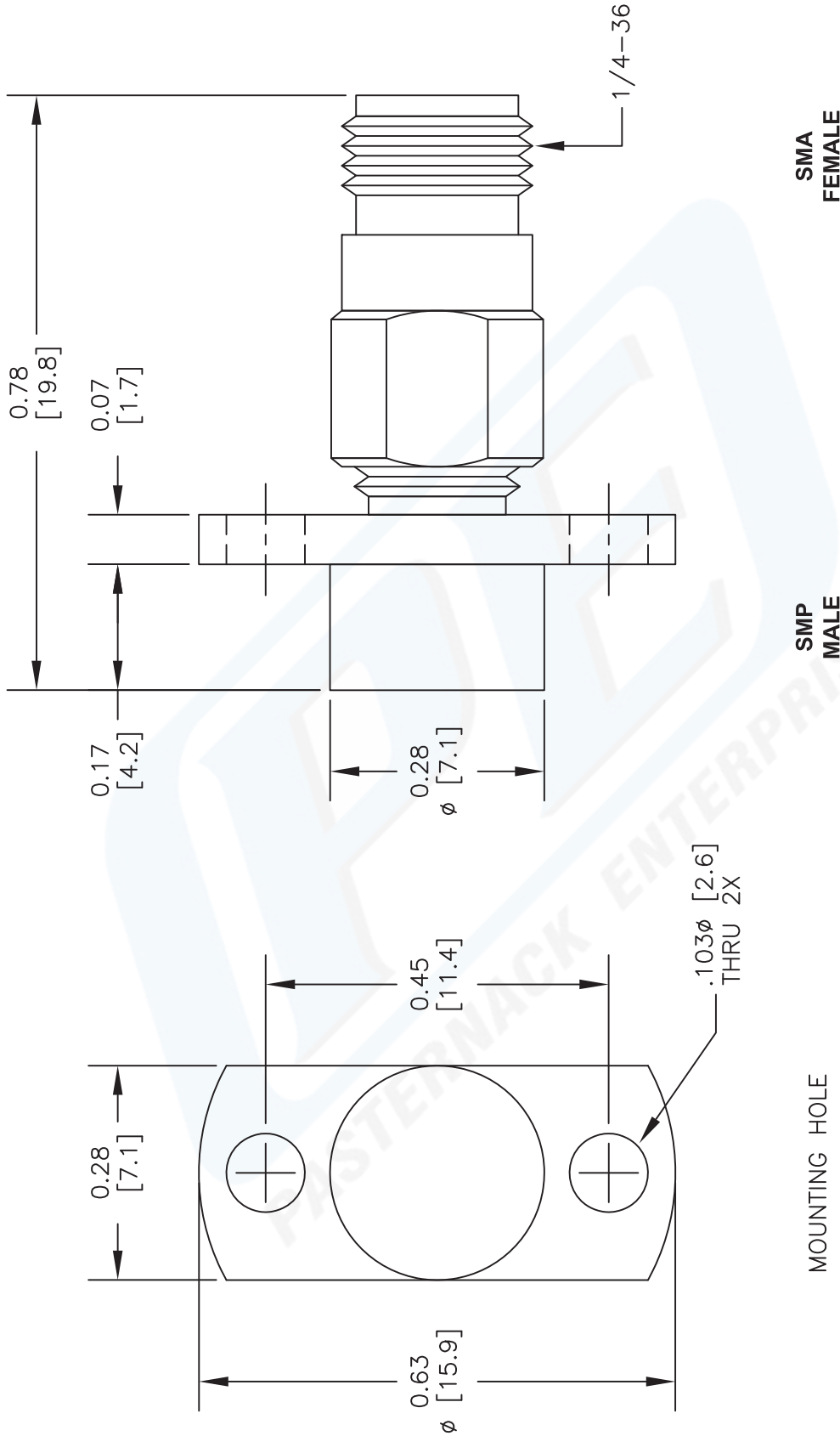
Click the following link (or enter part number in "SEARCH" on website) to obtain additional part information including price, inventory and certifications: [Precision SMA Female to SMP Male 2 Hole Flange Adapter Smooth Bore .450 Mounting Hole Spacing PE91057](http://www.pasternack.com/sma-female-smp-male-straight-adapter-pe91057-p.aspx)

URL: <http://www.pasternack.com/sma-female-smp-male-straight-adapter-pe91057-p.aspx>

The information contained in this document is accurate to the best of our knowledge and representative of the part described herein. It may be necessary to make modifications to the part and/or the documentation of the part, in order to implement improvements. Pasternack reserves the right to make such changes as required. Unless otherwise stated, all specifications are nominal.

PE91057 CAD Drawing

Precision SMA Female to SMP Male 2 Hole Flange Adapter
Smooth Bore .450 Mounting Hole Spacing



NOTES:
1. UNLESS OTHERWISE SPECIFIED ALL DIMENSIONS ARE NOMINAL.
2. ALL SPECIFICATIONS ARE SUBJECT TO CHANGE WITHOUT NOTICE AT ANY TIME.
3. DIMENSIONS ARE IN INCHES [mm].

DWG TITLE
PE91057

FSCM NO. 53919

CAD FILE 010714

SCALE N/A

SIZE A

2233

PE PASTERNAK®
Pasternack Enterprises, Inc.
P.O. Box 16759 | Irvine | CA | 92623
Phone: (949) 261-1920 | Fax: (949) 261-7451
Website: www.pasternack.com | E-Mail: sales@pasternack.com