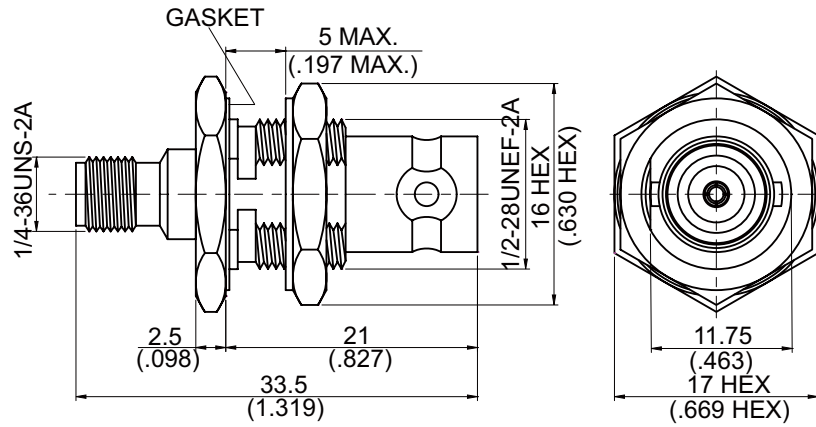
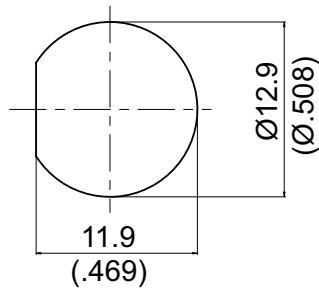


AD-A8B8-BF

SMA Jack To BNC Jack For Bulkhead 50Ω



MOUNTING HOLE



Typical VSWR

Part Number	1 GHz	2 GHz	3 GHz	4 GHz
AD-A8B8-BF	1.03	1.06	1.09	1.12

Parts	Material	Plating (Micro-inch)
Hex Nut	Brass	Tin-Zinc-Copper-Alloy 100 Over Copper 50
Washer	Brass	Tin-Zinc-Copper-Alloy 100 Over Copper 50
Gasket	Silicon	
Contact Pin	Beryllium Copper	Gold 20 Over Nickel 50 Over Copper 50
Insulator	Teflon	
Body (BNC)	Brass	Tin-Zinc-Copper-Alloy 100 Over Copper 50
Body (SMA)	Brass	Gold 5 Over Nickel 50 Over Copper 50

Weight: 18 g

This part number complies with RoHS.

Notice: JYEBAO reserves the right to make modifications deemed appropriate.